

Enclosures

<b>Material</b>	DMC (Dough Moulding Compound)			
<b>Operating Temperature</b>	-50° C to + 200° C			
<b>Glow Wire Capability / Flammability</b>	960° / UL94 V0			
<b>Expected UV Life (Direct Exposure)</b>	25 years +			
<b>IP Level</b>	IP66			
<b>Security Level</b>	1	2	3	4

Hinges

Allbro has launched the very first camera enclosure of its kind. Designed and made in South Africa the Camera-Den addresses the unique challenges of this application in a manner that has never been done before. Once one lays eyes upon Allbro's new "Camera-Den" it becomes difficult to even call the new invention a camera box.

Locks

Handles

Accessories

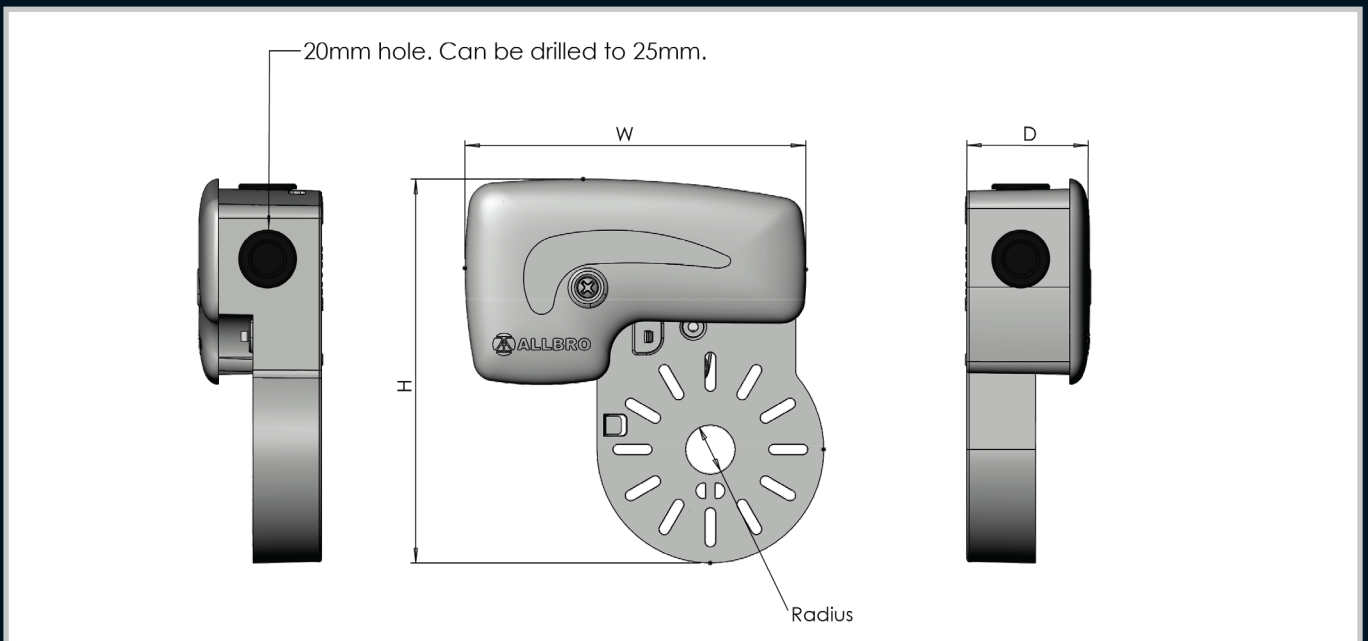


Rotary Operating Handles

Insulators

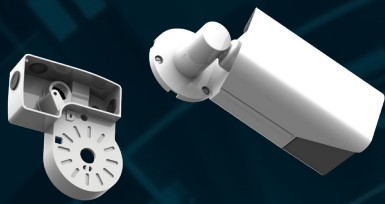
Transformer Equipment

Index



Part Number	Description	H (mm)	W (mm)	D (mm)	Radius (mm)
040-958	Camera-Den Complete 90mm	156	139	51	20
040-977	Camera-Den Complete 110mm	174	139	51	53.3

**INSTALLATION:**



**Step 1:** Mount the camera on the Camera-Den™ whilst safely on the ground



**Step 2:** Mount bracket on the wall.  
(NB 6mm Screw/Plug Not Included)

NOTE: RECOMMENDED TORQUE FOR LID & MOUNTING BRACKET SCREWS - 1,5Nm --> 2,5Nm

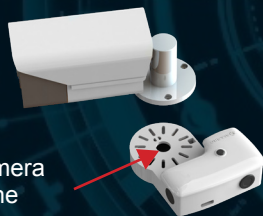


**Step 3:** Hook unit on the bracket and test/adjust the camera with a tester. All Connections accessible remain.

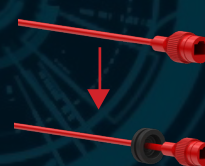
**Step 4:** Connect camera wires and close the unit with the cap. The Camera-Den is IP 66 and has a UV Life of 25 years

**Step 1 continued:**

① Place camera onto the Camera-Den™. Pull the camera cables through the hole in the middle of the base.



② Place Allbro stretch grommet over the camera fitting.



Allbro grommet stretches over most camera fittings

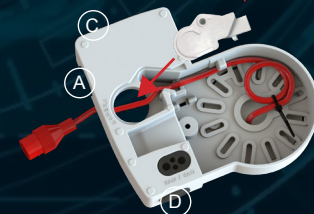
③ Cable tie the cable (A) and feed the rest of the fitting through opening (B).



④ Place grommet back to secure cable in place and protect the cabling from water seeping in.



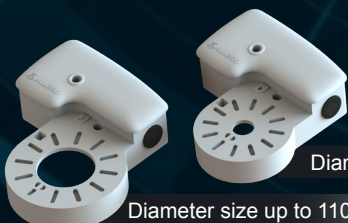
⑤ Close the opening in STEP 3 with cap provided.



**⚠ Please Note:**

\* Outer blank plugs (A, B & C) can be removed where applicable for cable glands of conduit fittings.

These blanks are NOT intended for use as cable grommets.



Diameter size up to 90mm

Diameter size up to 110mm

**CAMERA-DEN™ IS AVAILABLE IN TWO SIZES**

Designed to accommodate most camera brands & sizes!