



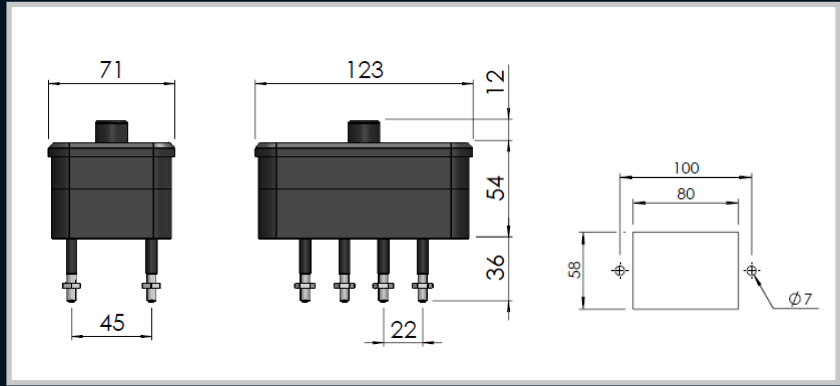
5

Accessories



					
Test Blocks Pg.153	082-001 Pg.154	020-087 - 020-090 Pg.154	Kiosk Window Pg.155	222610 Pg.155	11BUMPER Pg.155
					
010-101 Pg.156	004-575 Pg.157	004-580 Pg.157	002-111 Pg.157	Door Stay Pg.158	083-010 Pg.160
					
083-009 Pg.160	083-011 Pg.160	007-401 Pg.161	007-402 Pg.161	007-403 Pg.161	007-404 Pg.161
					
007-408 - 007-412 Pg.162	007-405 Pg.164	007-406 Pg.164	007-407 Pg.164	ENB-DE6 Pg.165	ENB-SE6 Pg.166
					
020-271 Pg.167	302500 Pg.167	7WAY/B165 Pg.167	020-254 - 020-255 Pg.168	010-061 Pg.168	011-028 Pg.168
					
020-268 Pg.168	301095 - 302125 Pg.169	ENB-7WB Pg.169	Rods Pg.170	Rod Accessories Pg.172 - 173	Jumper Bar Pg.174

PK-2 Test Block



Part Number	Description
083-012	PK-2 (FOUR WAY TEST BLOCK)

APPLICATION

For mounting on switchboard panels for use in conjunction with proper test equipment to facilitate the testing of ac instruments, meters and relays.

FEATURES

Type PK-2 test blocks are essentially 4-pole and 6-pole jacks, provided with moulded phenolic covers that have internal plug contacts, which make a through connection when the cover is in place. The contacts in the blocks are of the line - pressure type and provide positive contact with minimum contact resistance. For current circuits, auxiliary contacts are used which automatically short circuit the current transformer when the cover or plug is removed.

Routine testing can be accomplished simply by removing the cover and substituting the properly connected test plug; normal connections are restored by replacing the cover Contact rating is 250 volts, 10 amperes continuously.

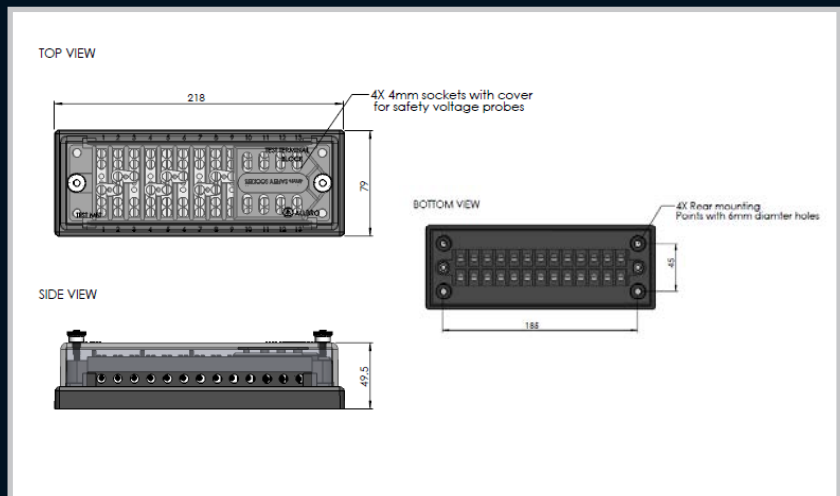
A hole in cover allows for securing against unauthorized use.

Included with each test block is a kit which includes:

- 1) Mounting screws and nuts, Mild Steel – Zinc Plated
- 2) Connection nuts and washers, Brass – Nickel Plated
- 3) Auxiliary links, contacts, jumpers and fixing screws, Brass – Silver Plated

ALL ELECTRO PLATING 0.005 – 0.008mm

PK-3C Test Block



Part Number	Description
083-013	PK-3C 13 Way test block rear mount clear

Enclosures

Hinges

Locks

Handles

Accessories

Rotary Operating Handles

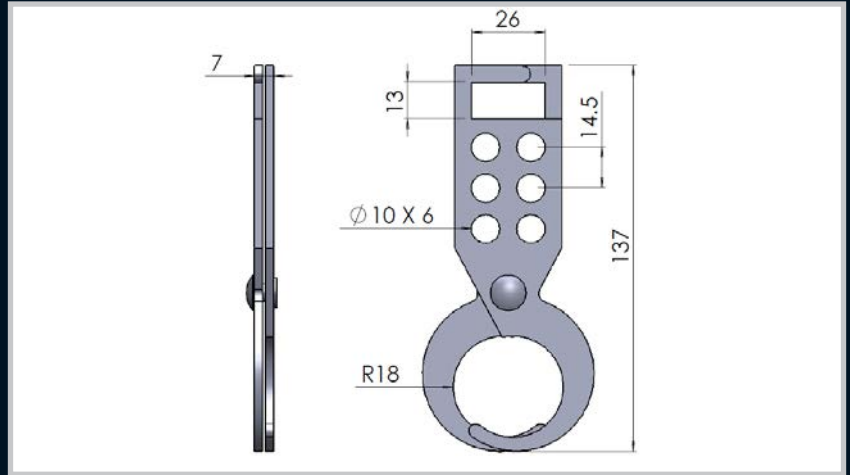
Insulators

Transformer Equipment

Index

Enclosures

Safety Lock Out Caliper



Hinges

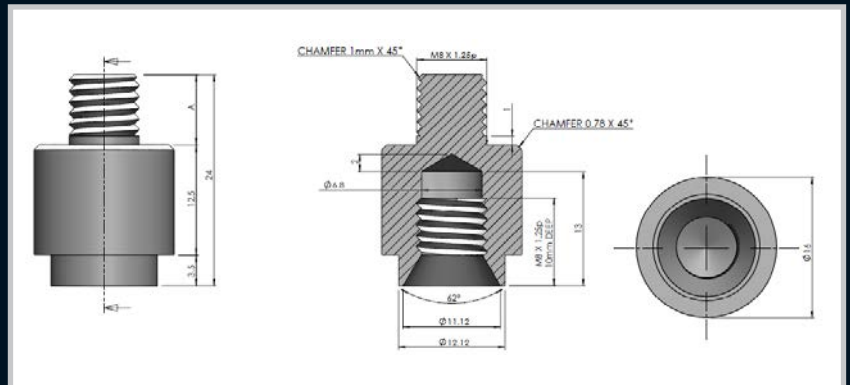
Locks

Remarks:
This product is used in conjunction with our rotary operating handle range for MCB's & ELCB'S and an additional safety feature. It can facilitate 6 padlocks with a maximum of 8mm diameter shank. This item is recommended and accepted by NOSA.

Part Number	Description
082-001	Natural Mild Steel

Handles

Chassis Studs



Accessories

Rotary Operating Handles

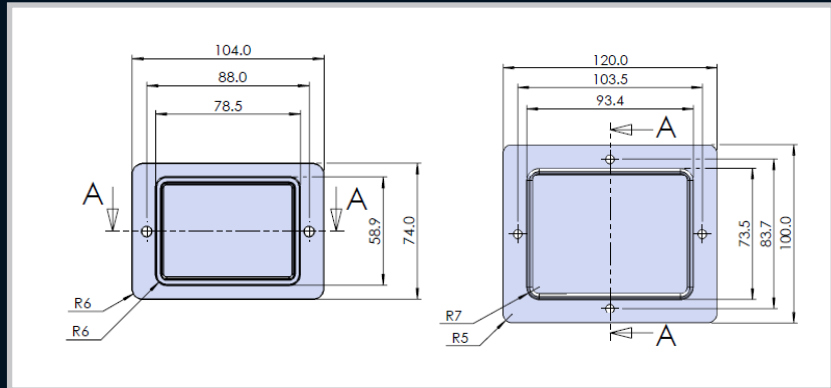
Part Number	Description
020-087	M8-M/S-8mm Thread Length
020-088	M8-S/S-8mm Thread Length
020-089	M8-M/S-12mm Thread Length
020-090	M8-S/S-12mm Thread Length
020-091	M8-S/S-19mm Thread Length
020-092	M8-M/S-19mm Thread Length

Insulators

Transformer Equipment

Index

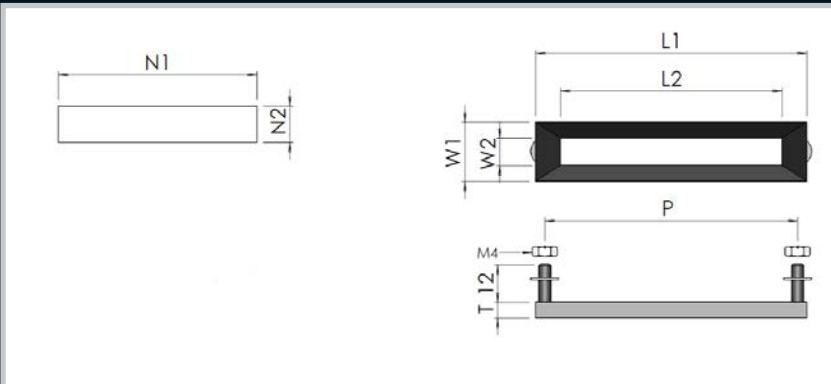
Kiosk Windows



Remarks:
Clear kiosk meter window.

Part Number	Description
CKW74/104	Clear UV stabilized Polycarbonate
CKW100/120	Clear UV stabilized Polycarbonate

Label Holders



Part Number	Description	L1	P	L2	W1	W2	N1	N2	T	D1
222610	ZDC Black	138	132	119	31	19	125	25	5.5	M4
222610S	ZDC Black	88	82	71	19	8.5	76	12.5	7	M4
222610L	ZDC Black	163	157	144	46	34	150	40	5.5	M4

Door Bumper



Remarks:
Recommended cut-out is 7mm.

Part Number	Description
11BUMPER	Rubber shore hardness 70

Enclosures

Hinges

Locks

Handles

Accessories

Rotary Operating Handles

Insulators

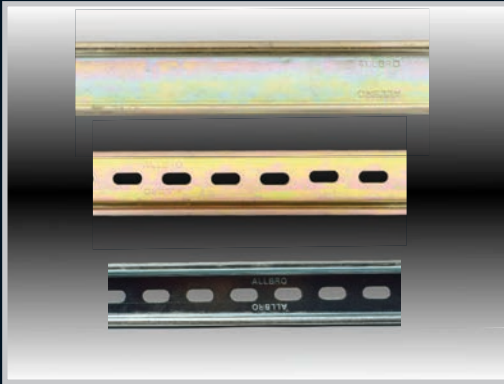
Transformer Equipment

Index

Enclosures

Din Rail

Hinges



Locks

Remarks:
Available in slotted and non-slotted.

Handles

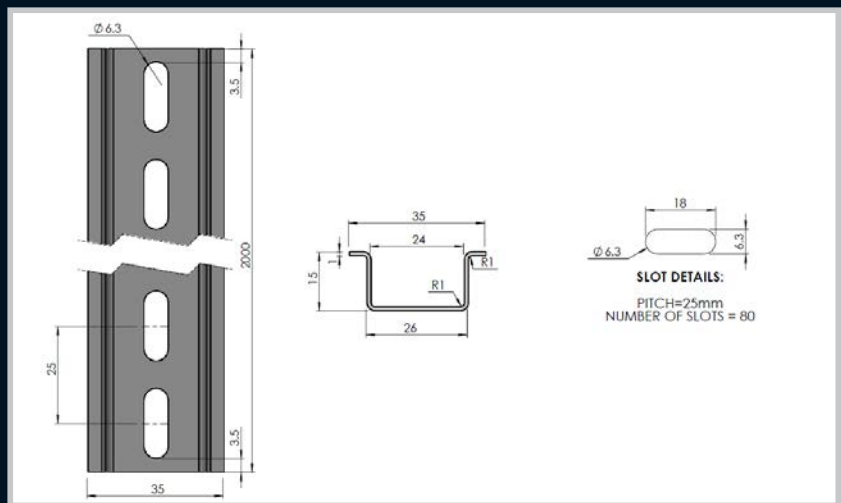
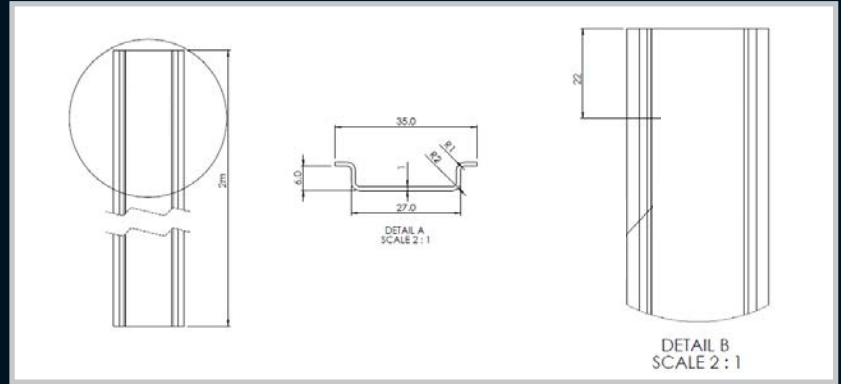
Accessories

Rotary Operating
Handles

Insulators

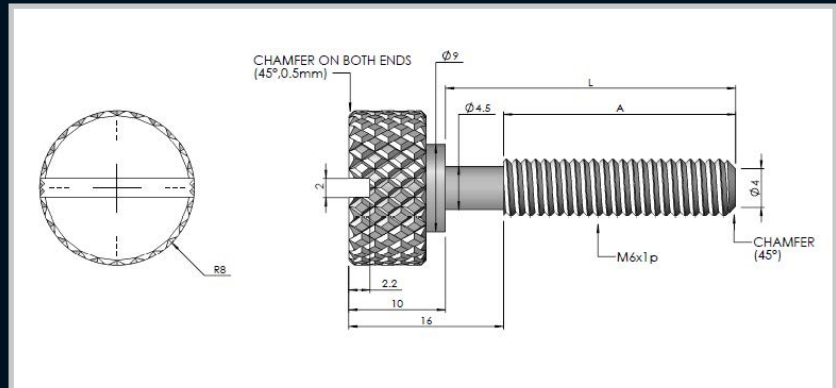
Transformer
Equipment

Index

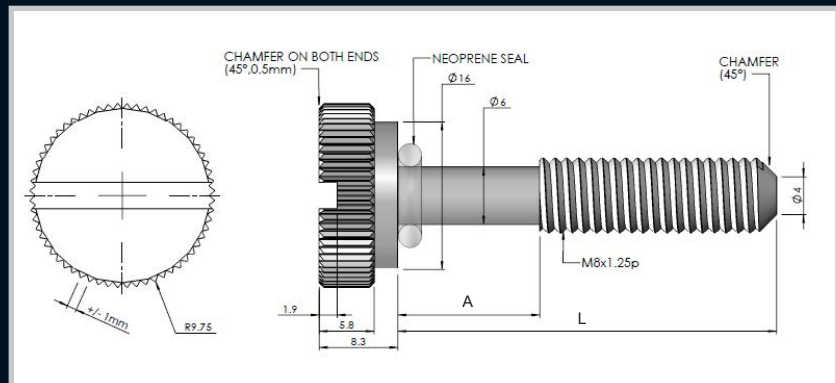


Part Number	Description	Material and Finish
010-101	Din Rail slotted 2 metre length Silver	Mild Steel, Galvanized
010-102	Din Rail slotted 2 metre length Gold	Mild Steel, Galvanized
010-105	Din rail without slots 2 metre length Gold	Mild Steel, Galvanized
010-075	15mm Deep Din Rail environmental silver 2 metre length	Mild Steel, Galvanized

Thumb Screws

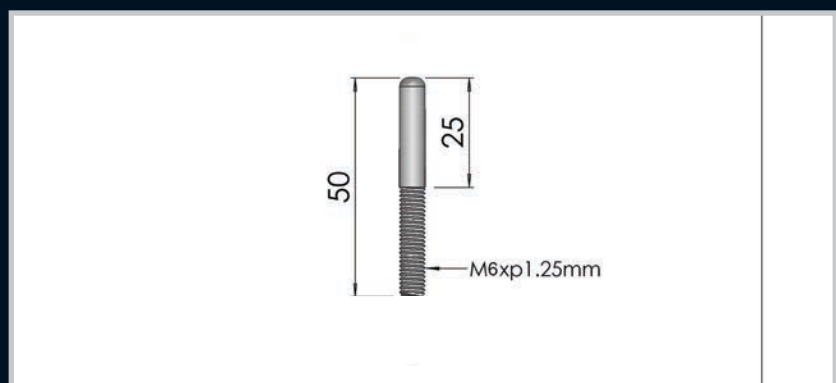


Part Number	Description	L (mm)	A (mm)
004-575	6 mm Brass, Chrome Plated	30	24
004-587	6 mm Brass, Chrome Plated	35	29
004-588	6mm Brass, Chrome Plated	40	34
004-588L	6mm Brass, Chrome Plated (19.5mm Head)	40	34
004-589	6mm Brass, Chrome Plated	50	44
004-589L	6mm Brass, Chrome PLated (19.5mm Head)	50	44



Part Number	Description	L (mm)	A (mm)
004-580/M8TS	M8 x 40mm with O-ring	40	15

Locating Pin



Part Number	Material and Finish	Description
002-111	Brass Chrome Plated	M6 Locating Pin

Enclosures

Hinges

Locks

Handles

Accessories

Rotary Operating Handles

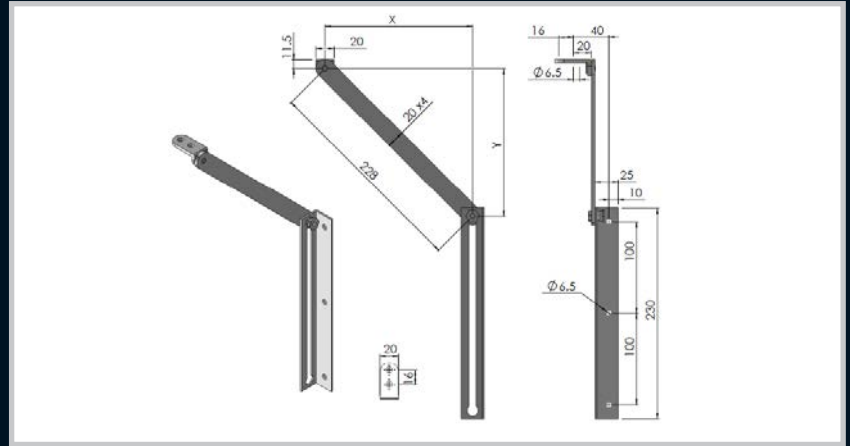
Insulators

Transformer Equipment

Index

Enclosures

Heavy Duty Cover Stay

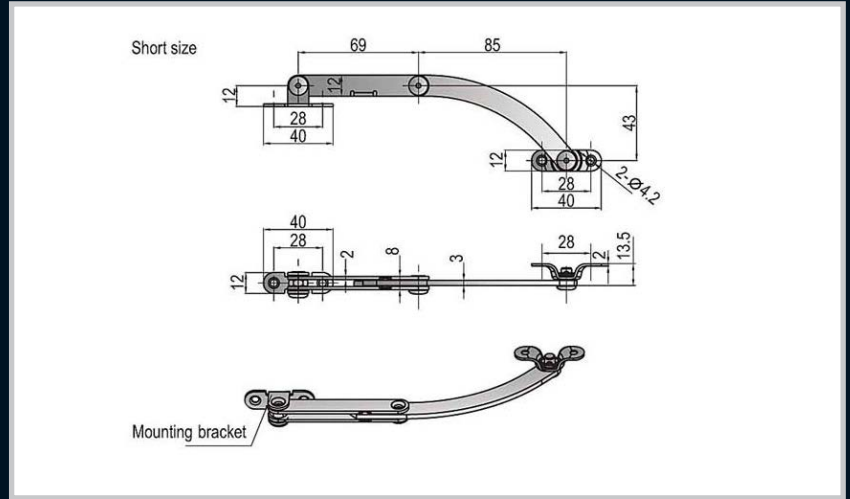


Hinges

Locks

Part Number	Description
DS180M/S	Mild steel
DS180S/S	Stainless Steel

Handles

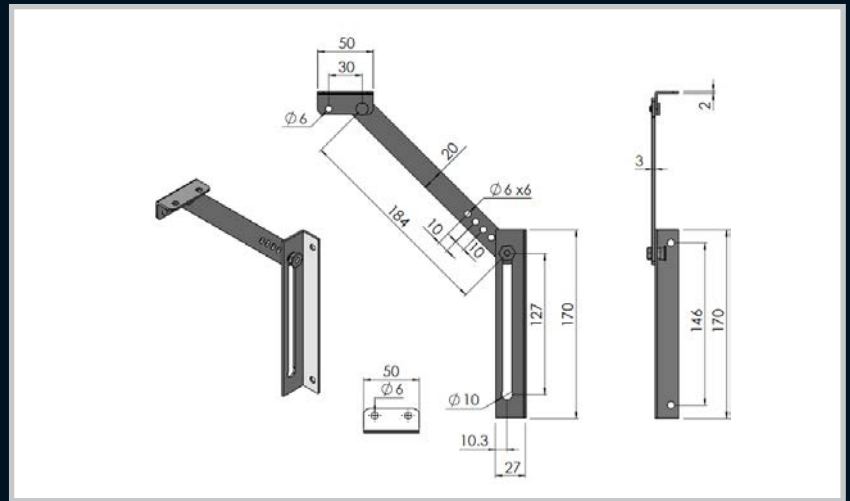


Accessories

Part Number	Description
DSS90M/S	Mild Steel

Rotary Operating Handles

Insulators



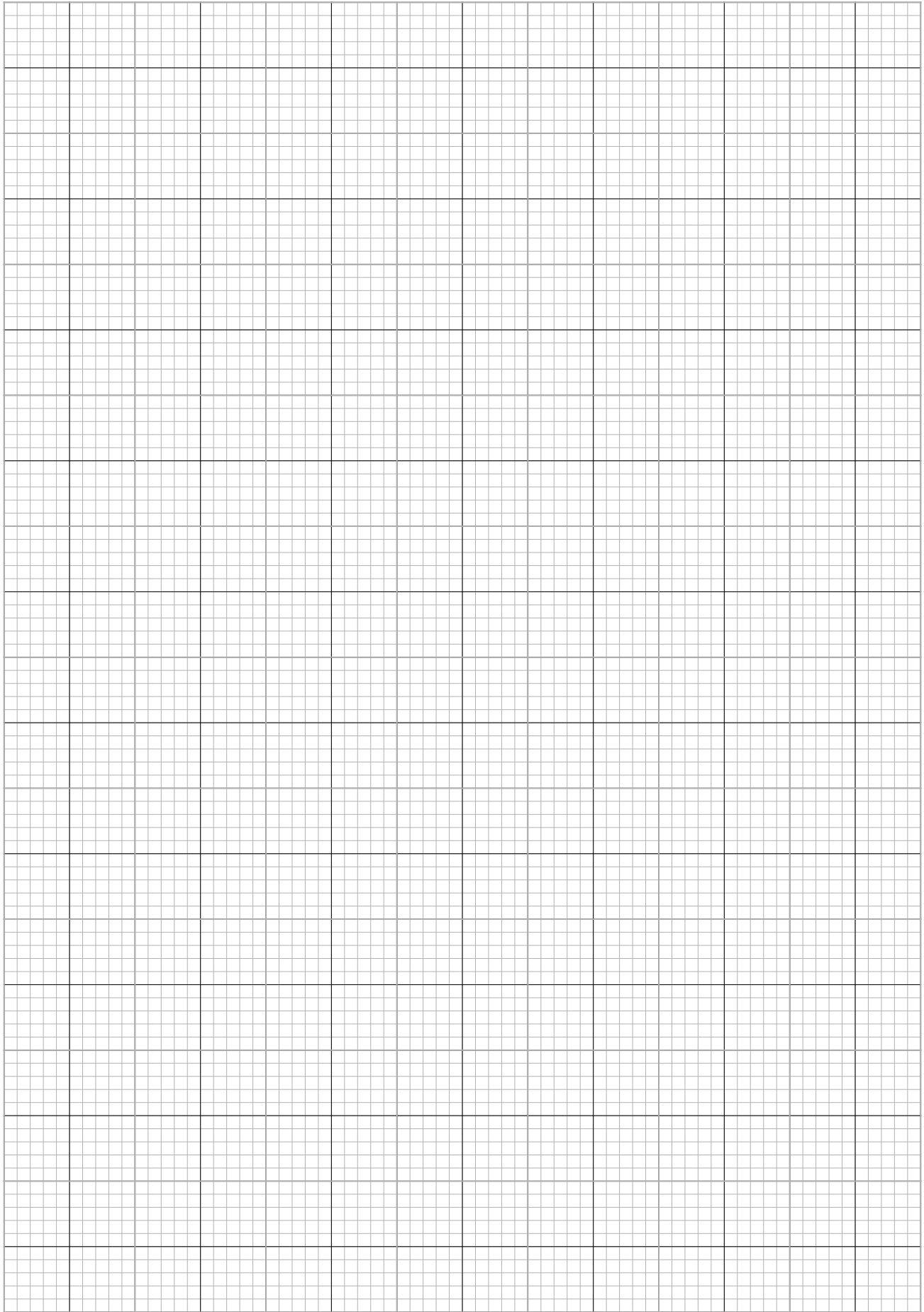
Transformer Equipment

Remarks:
Compact design in 316 stainless steel

Part Number	Description
DS120S	316 Grade Stainless Steel

Index

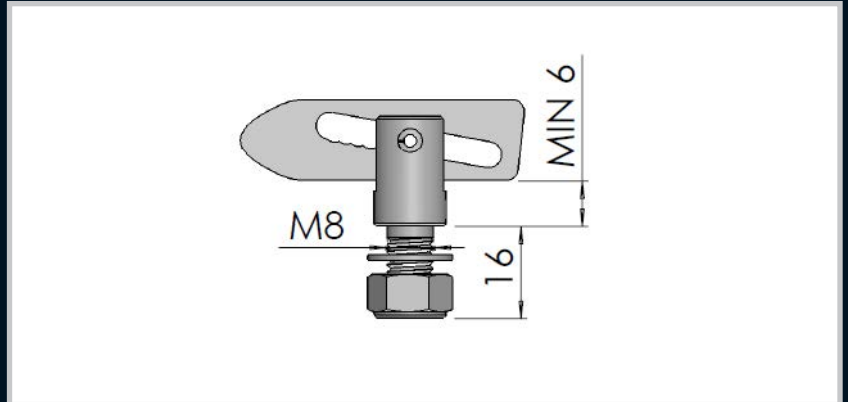
Notes:



Enclosures

Anti - Luce Fasteners

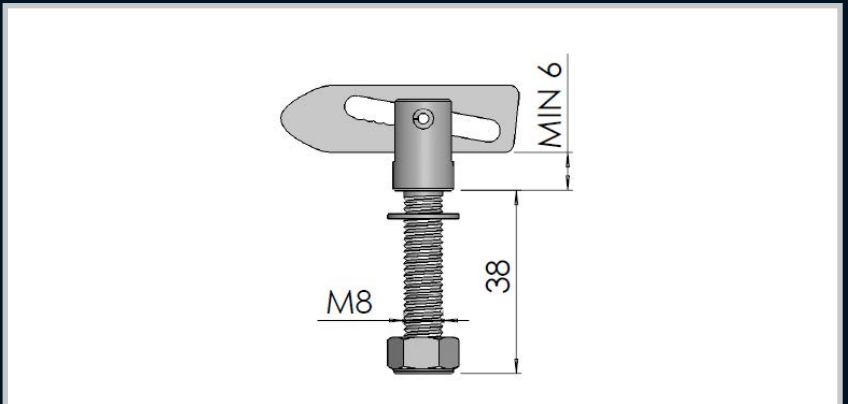
Hinges



Locks

Part Number	Description	L (mm)
083-010	M8	16

Handles

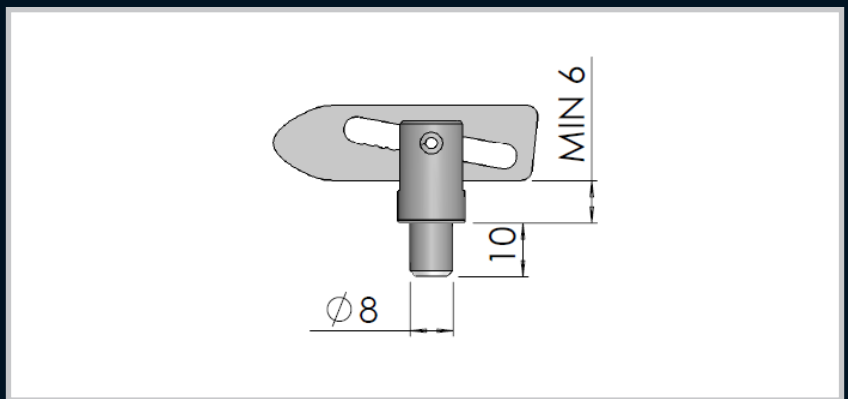


Accessories

Part Number	Description	L (mm)
083-009	M8	38

Rotary Operating Handles

Insulators

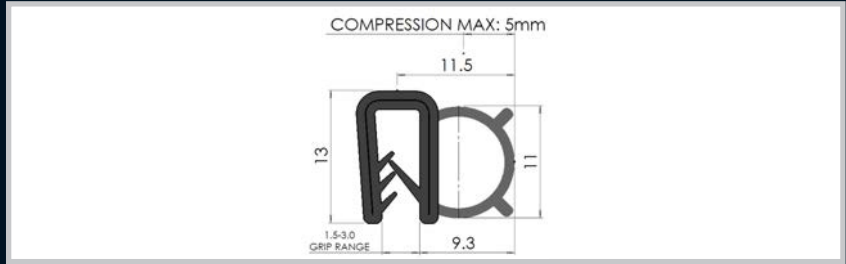
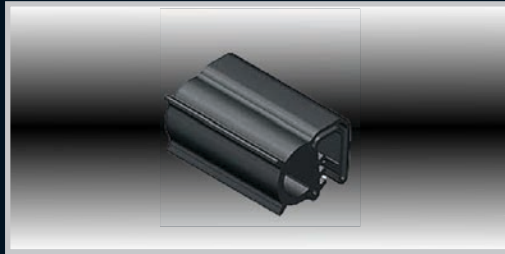


Transformer Equipment

Part Number	Description	L (mm)
083-011	No Thread	10

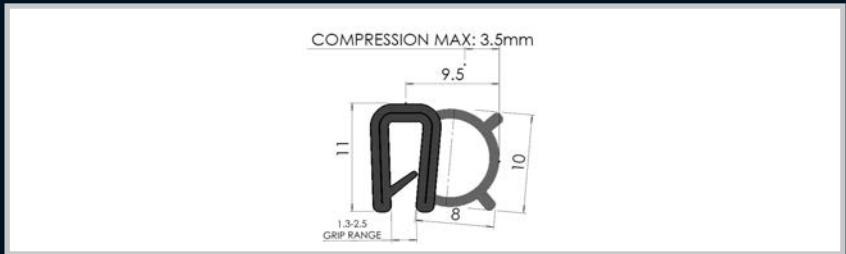
Index

Rubber Sealing



Remarks:
Side Mount.

Part Number	Description
007-401	EPDM, with metal core, Soft foam rubber, black



Remarks:
Side Mount.

Part Number	Description
007-402	EPDM, with metal core, Soft foam rubber, black



Remarks:
Top Mount.

Part Number	Description
007-403	EPDM, With metal core, Soft foam rubber, black



Remarks:
Top Mount.

Part Number	Description
007-404	EPDM, With metal core, Soft foam rubber, black

Enclosures

Hinges

Locks

Handles

Accessories

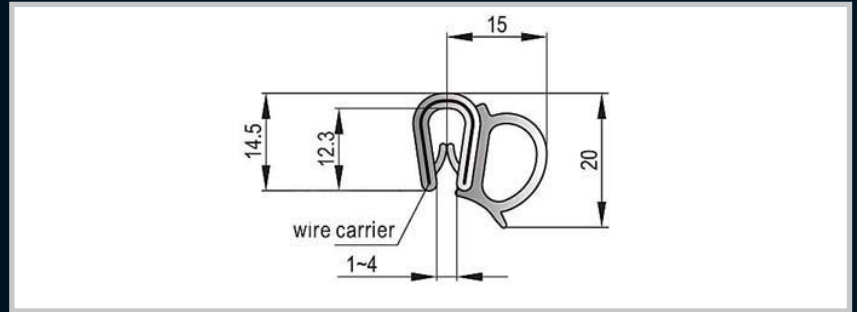
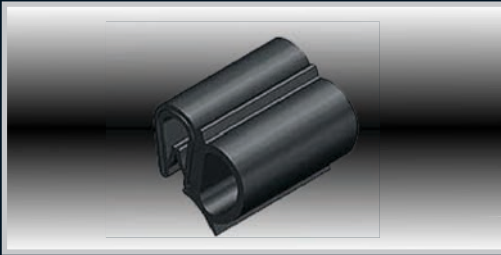
Rotary Operating
Handles

Insulators

Transformer
Equipment

Index

Enclosures



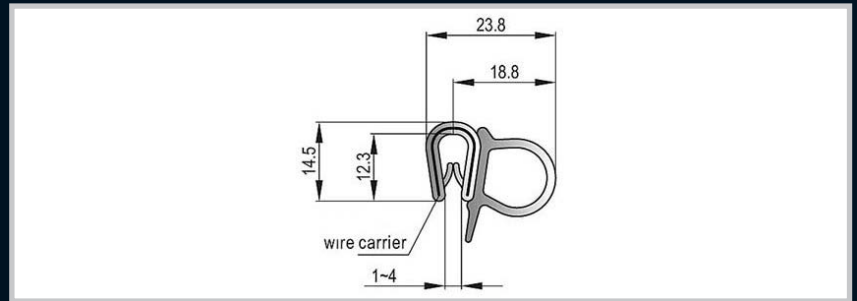
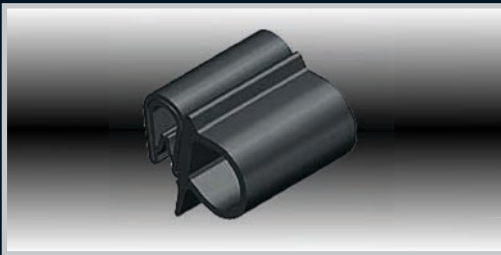
Remarks:
Side Mount

Part Number	Description
007-408	EPDM, With metal core, Soft foam rubber, black

Hinges

Locks

Handles

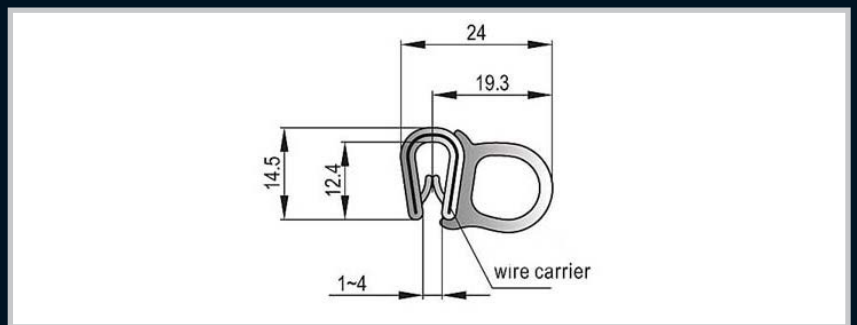


Remarks:
Side Mount

Part Number	Description
007-409	EPDM, With metal core, Soft foam rubber, black

Accessories

Rotary Operating
Handles



Remarks:
Side Mount

Part Number	Description
007-410	EPDM, With metal core, Soft foam rubber, black

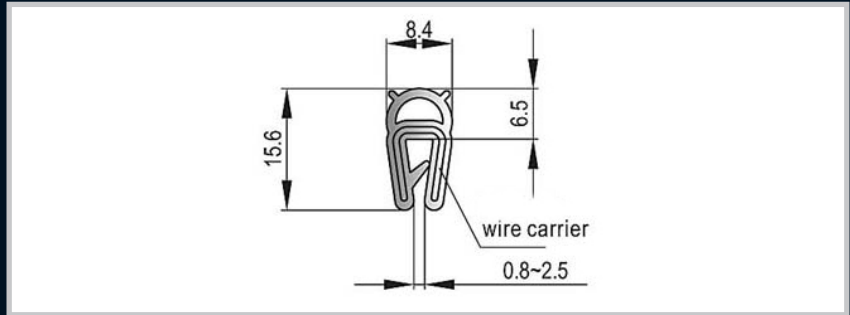
Insulators

Transformer
Equipment

Index



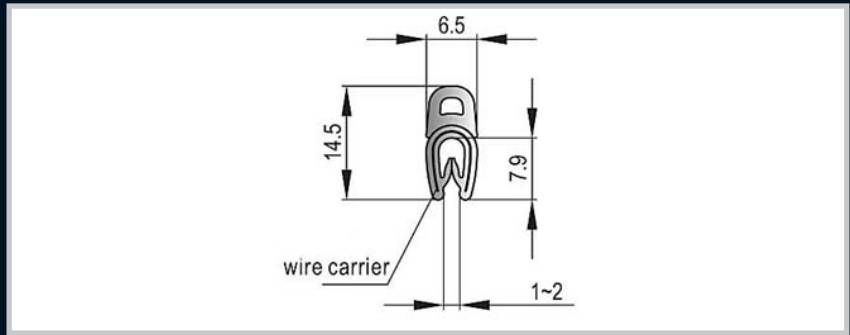
Remarks:
Top Mount



Part Number	Description
007-412	EPDM, With metal core, Soft foam rubber, black



Remarks:
Top Mount



Part Number	Description
007-411	EPDM, With metal core, Soft foam rubber, black

Enclosures

Hinges

Locks

Handles

Accessories

Rotary Operating
Handles

Insulators

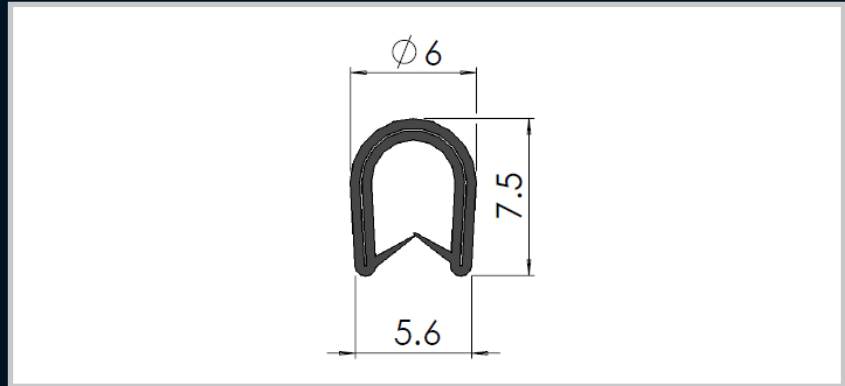
Transformer
Equipment

Index

Enclosures

Rubber Edges

Hinges



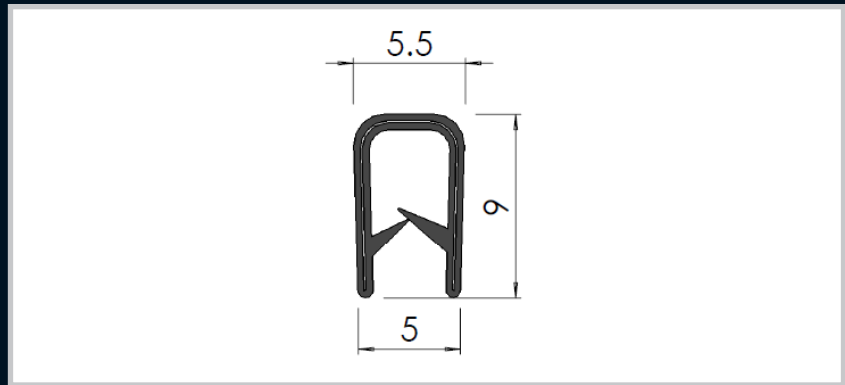
Locks

Remarks:
Small Edge.

Part Number	Description
007-405	EPDM, Black

Handles

Accessories



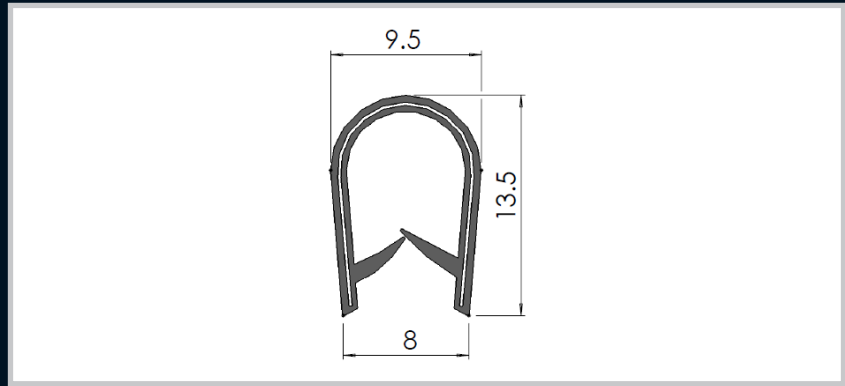
Rotary Operating Handles

Remarks:
Medium Edge.

Part Number	Description
007-406	EPDM, Black

Insulators

Transformer Equipment

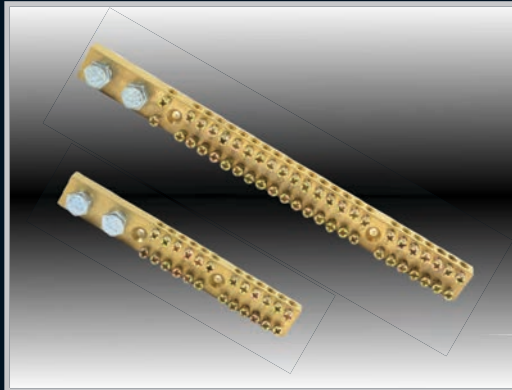


Index

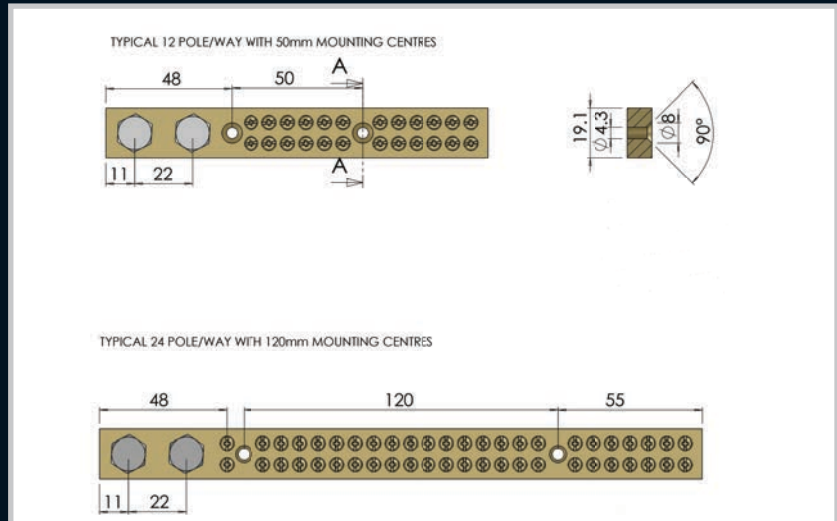
Remarks:
Large Edge.

Part Number	Material and Finish
007-407	EPDM, Black

DE Series Neutral Bars



Remarks:
 2x M8 Screws for 165 Amp cables.
 2x M4 Posi- drive screws per numbered tunnel.
 Bar size: 19.1 x 9.5mm brass.



Part Number	Description
ENB-DE6	DE range - Neutral Bar 6 Way
ENB-DE12	DE range - Neutral Bar 12 Way
ENB-DE18	DE range - Neutral Bar 18 Way
ENB-DE24	DE range - Neutral Bar 24 Way
ENB-DE30	DE range - Neutral Bar 30 Way
ENB-DE36	DE range - Neutral Bar 36 Way
ENB-DE42	DE range - Neutral Bar 42 Way
ENB-DE48	DE range - Neutral Bar 48 Way
ENB-DE54	DE range - Neutral Bar 54 Way
ENB-DE60	DE range - Neutral Bar 60 Way
ENB-DE72	DE range - Neutral Bar 72 Way
ENB-DE84	DE range - Neutral Bar 84 Way
ENB-DE96	DE range - Neutral Bar 96 Way
ENB-DE108	DE range - Neutral Bar 108 Way

Enclosures

Hinges

Locks

Handles

Accessories

Rotary Operating
Handles

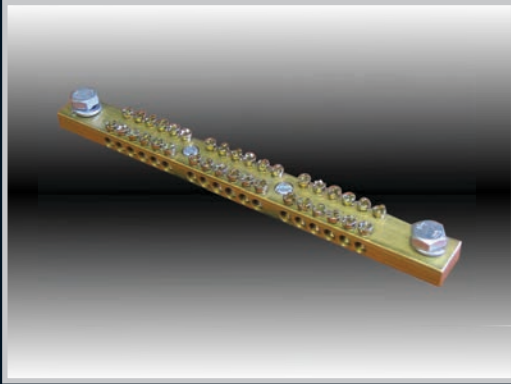
Insulators

Transformer
Equipment

Index

Enclosures

SE Series Neutral Bars



Hinges

Locks

Handles

Accessories

Rotary Operating
Handles

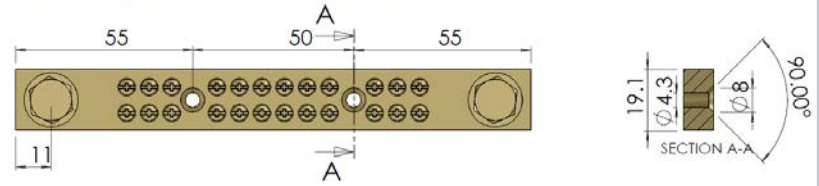
Insulators

Transformer
Equipment

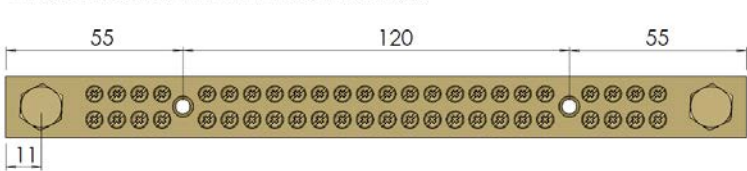
Index

Remarks:
2x M8 Screws for 165 Amp cables.
2x M4 Posi- drive screws per numbered tunnel.
Bar size: 19.1 x 9.5mm brass.

TYPICAL 12 POLE/WAY WITH 50mm MOUNTING CENTRES

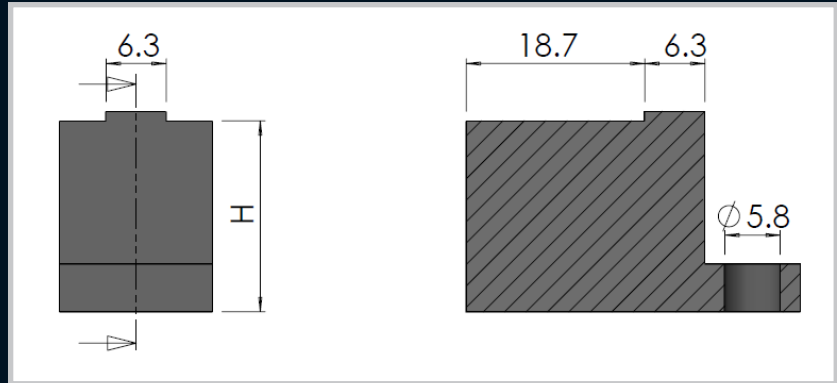
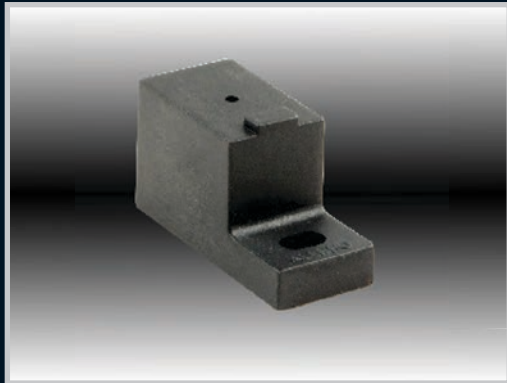


TYPICAL 24 POLE/WAY WITH 120mm MOUNTING CENTRES



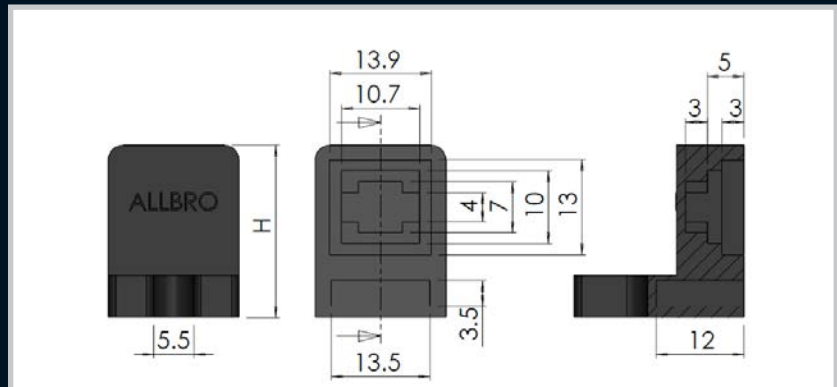
Part Number	Description
ENB-SE6	SE range - Neutral Bar 6 Way
ENB-SE12	SE range - Neutral Bar 12 Way
ENB-SE18	SE range - Neutral Bar 18 Way
ENB-SE24	SE range - Neutral Bar 24 Way
ENB-SE30	SE range - Neutral Bar 30 Way
ENB-SE36	SE range - Neutral Bar 36 Way
ENB-SE42	SE range - Neutral Bar 42 Way
ENB-SE48	SE range - Neutral Bar 48 Way
ENB-SE54	SE range - Neutral Bar 54 Way
ENB-SE60	SE range - Neutral Bar 60 Way
ENB-SE72	SE range - Neutral Bar 72 Way
ENB-SE84	SE range - Neutral Bar 84 Way
ENB-SE96	SE range - Neutral Bar 96 Way
ENB-SE108	SE range - Neutral Bar 108 Way

Insulator Support

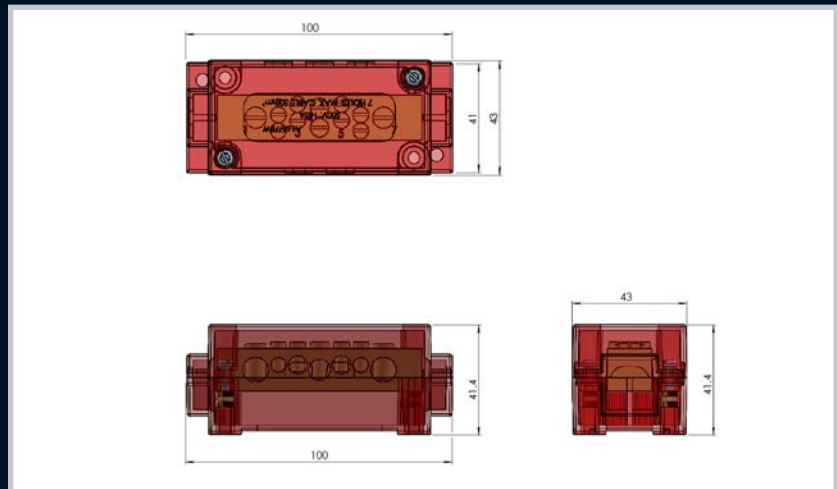


Remarks:
Recommended as an optional for SE neutral bar series.

Part Number	Description	H (mm)
020-271	Type T5 Support Insulator	24



Part Number	Description	H (mm)
302500	Type T3 Support Insulator	24



Part Number	Description
7WAY/B165	Enclosed 7 way 165 amp Black
7WAY/R165	Enclosed 7 way 165 amp Red

Enclosures

Hinges

Locks

Handles

Accessories

Rotary Operating Handles

Insulators

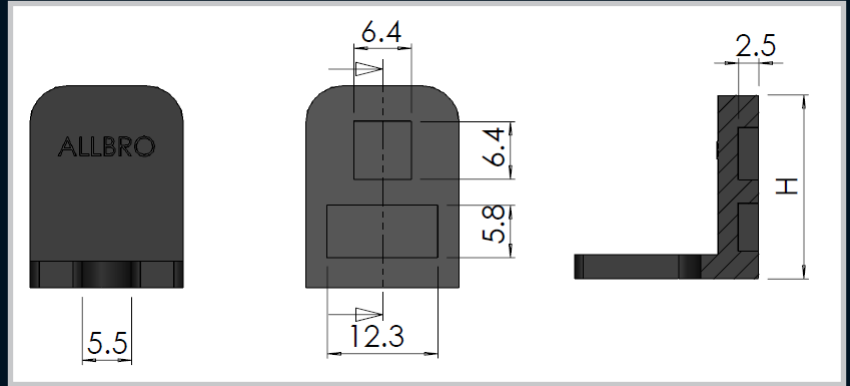
Transformer Equipment

Index

Enclosures

Insulator Support

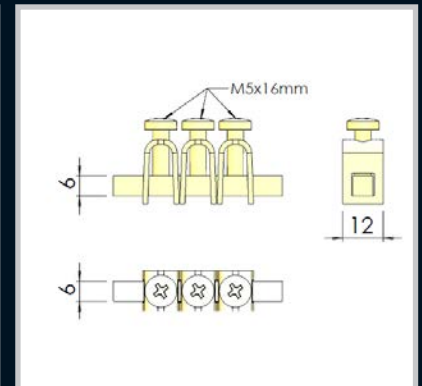
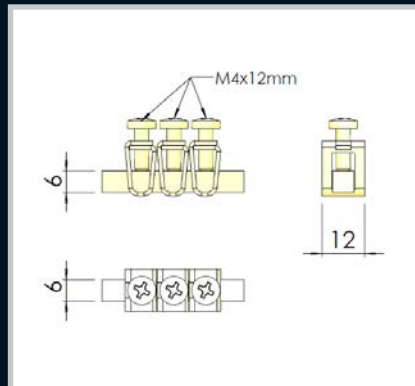
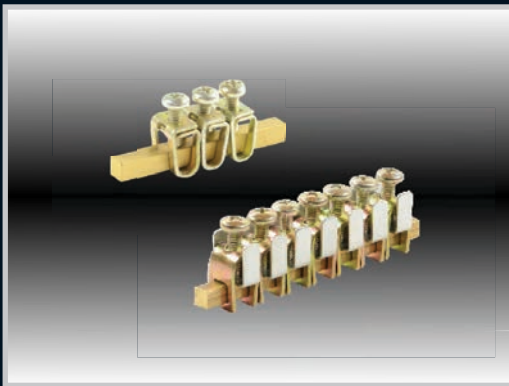
Hinges



Locks

PART NUMBER	DESCRIPTION	H (mm)
020-254	Type T1 Support Insulator	23
020-255	Type T2 Support Insulator	30

Handles

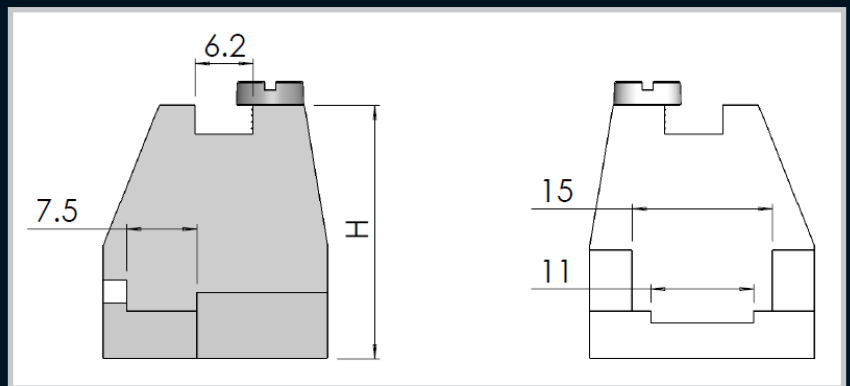


Accessories

PART NUMBER	DESCRIPTION
010-061	16mm Fitsalls
011-028	25mm Saddles

Rotary Operating Handles

Insulators

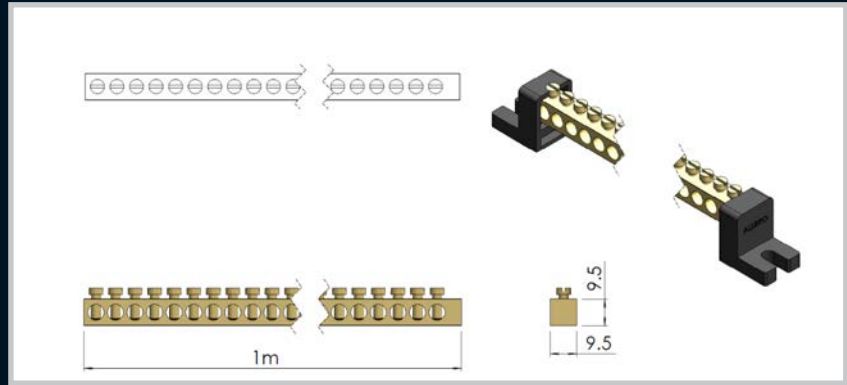


Transformer Equipment

PART NUMBER	DESCRIPTION	H (mm)
020-268	Type T4 Support Insulator	27

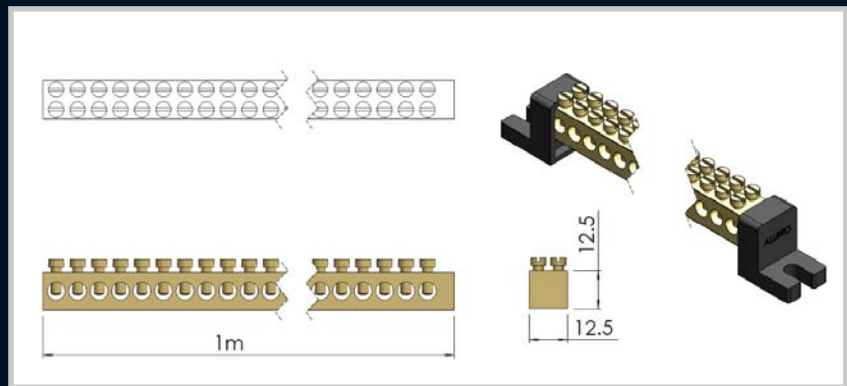
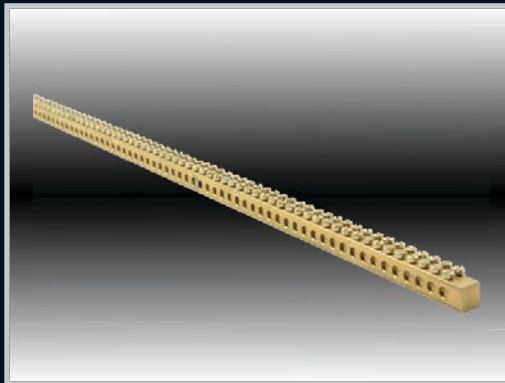
Index

Earth and Neutral Bars



Remarks:
Type T3 Insulator recommended as an optional extra.

Part Number	Description
301095	Brass Single Row Earth and Neutral Bar

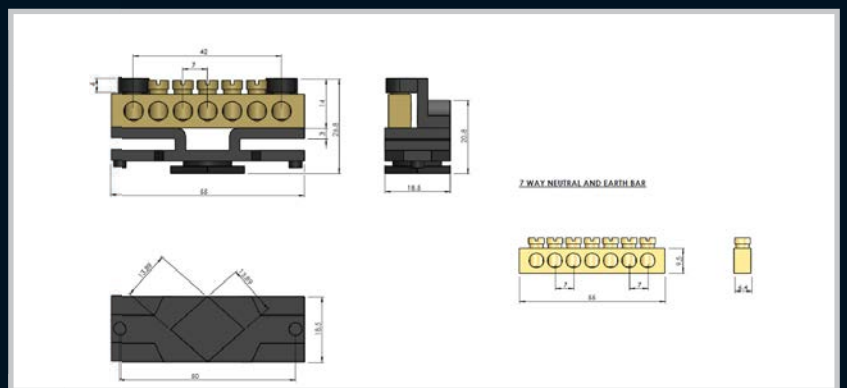
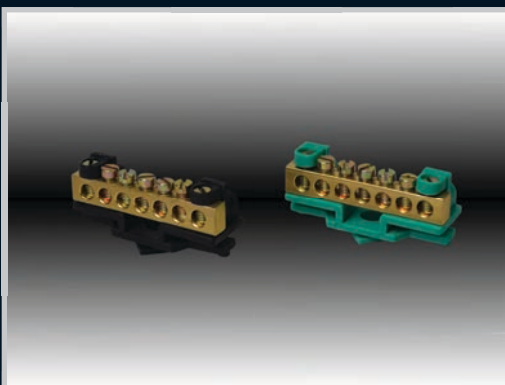


Remarks:
Type T3 Insulator recommended as an optional extra.

Part Number	Description
302125	Brass Double Row Earth and Neutral Bar

Note: Allbro sells Neutral Bars in 1m lengths. Many companies sell this in 500mm lengths. This is an important consideration when comparing prices.

7 Way Neutral and Earth Bar with Carrier



Part Number	Description
ENB-7WB	7 Way black neutral bar carrier
ENB-7WG	7 Way green earth bar carrier

Enclosures

Hinges

Locks

Handles

Accessories

Rotary Operating Handles

Insulators

Transformer Equipment

Index

Enclosures

Hinges

Locks

Handles

Accessories

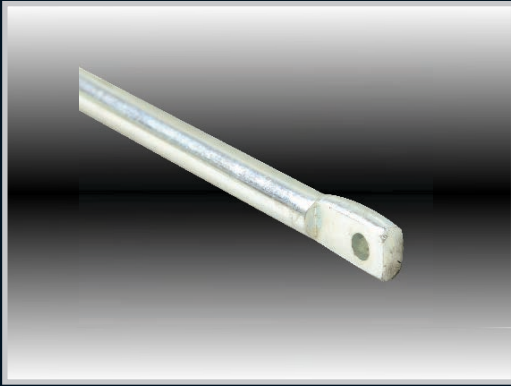
Rotary Operating
Handles

Insulators

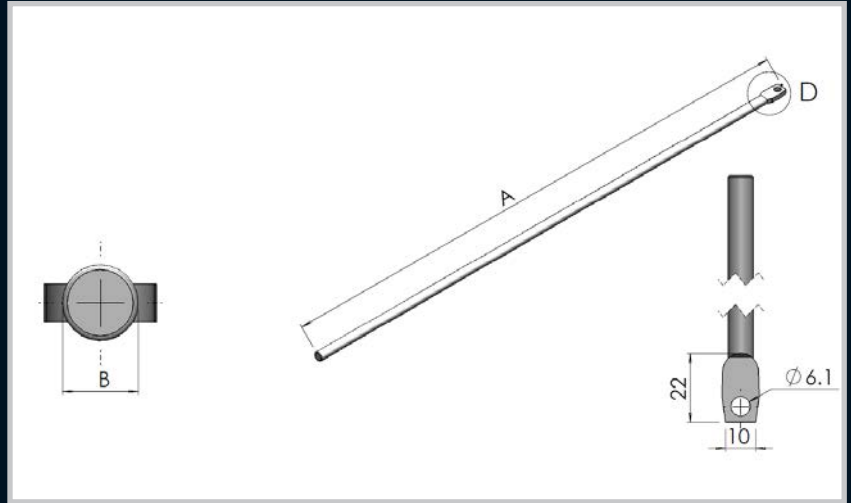
Transformer
Equipment

Index

Rods only



Remarks:
It has a 8mm diameter.
Refer to page 137 for compatible cams.

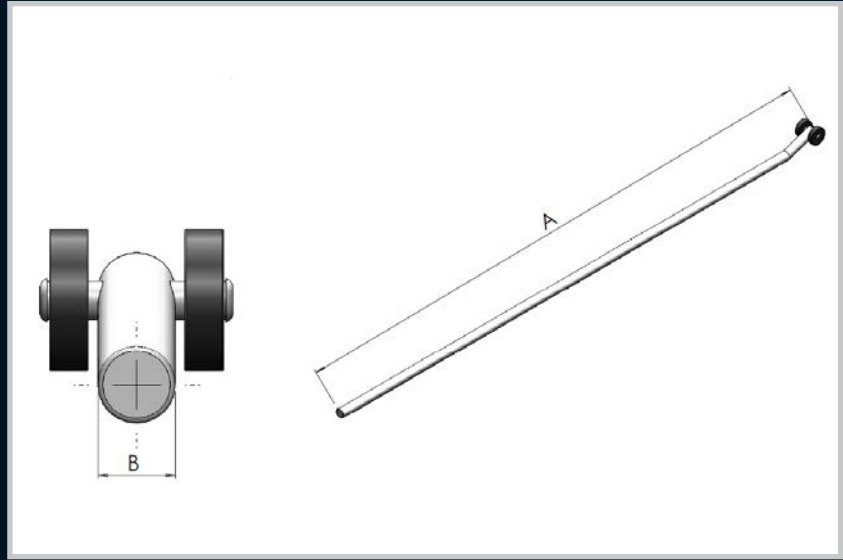


Part Number	Description	Material and Finish
1010130/ROD	Rod only 200mm	Mild Steel
1010130S/SROD	Rod only 200mm	Stainless Steel
1010131/ROD	Rod only 320mm	Mild Steel
1010131S/SROD	Rod only 320mm	Stainless Steel
1010132/ROD	Rod only 450mm	Mild Steel
1010132S/SROD	Rod only 450mm	Stainless Steel
1010133/ROD	Rod only 520mm	Mild Steel
1010133S/SROD	Rod only 520mm	Stainless Steel
1010134/ROD	Rod only 720mm	Mild Steel
1010134S/SROD	Rod only 720mm	Stainless Steel
1010135/ROD	Rod only 1000mm	Mild Steel
1010135S/SROD	Rod only 1000mm	Stainless Steel
1010136/ROD	Rod only 1300mm	Mild Steel

Locking Rods with Rollers



Remarks:
8mm Mild steel, 8mm 316 Grade stainless steel. Available with Nylon or steel wheels. Refer to page 137 for compatible cams.



Part Number	Description	Material and Finish
1010130R/ROD	Rod only 200mm with rollers	Mild Steel
1010131R/ROD	Rod only 320mm with rollers	Mild Steel
1010132R/ROD	Rod only 450mm with rollers	Mild Steel
1010133R/ROD	Rod only 520mm with rollers	Mild Steel
1010134R/ROD	Rod only 720mm with rollers	Mild Steel
1010135R/ROD	Rod only 1 000mm with rollers	Mild Steel
1010135R/1200	Rod only 1 200mm with rollers	Mild Steel
1010135R/1200SW	Rod only 1 200mm with rollers with stainless steel wheels	Mild Steel
1010135RS/S1200	Stainless steel rod 1 200mm with rollers	Stainless Steel
1010136R/ROD	Rod only 1300mm with rollers	Mild Steel
1010136R/SW	Rod only 1 300mm with rollers with stainless steel wheels	Mild Steel
1010136RS/S	Stainless steel rod 1 300mm with rollers	Stainless Steel

Enclosures

Hinges

Locks

Handles

Accessories

Rotary Operating Handles

Insulators

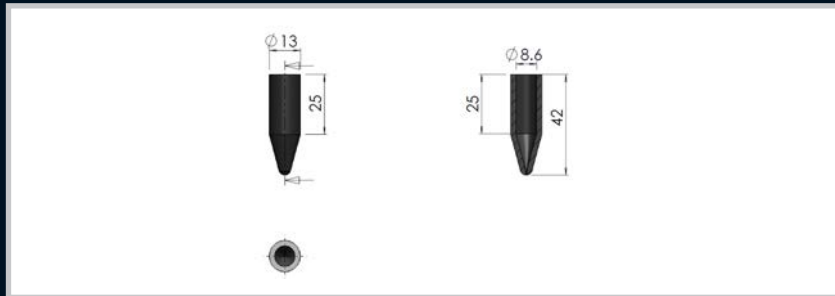
Transformer Equipment

Index

Enclosures

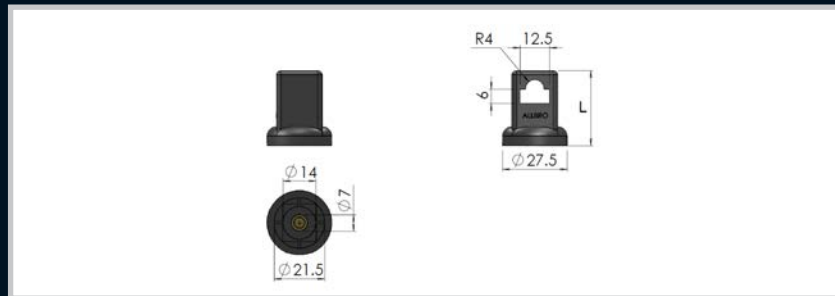
Rods Accessories

Hinges



Part Number	Description
1000111	Rod End Tip

Locks



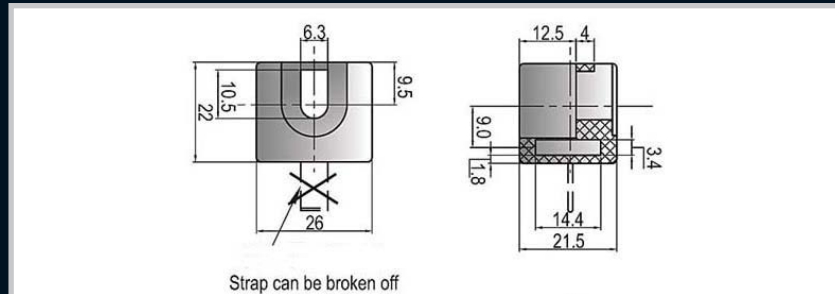
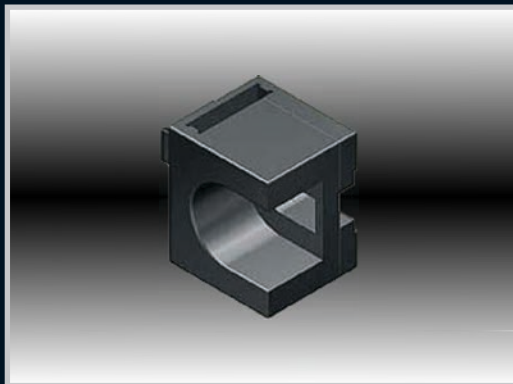
Part Number	Description	L (mm)
1000114	Rod Guide	32
1000114/38	Rod Guide	38

Handles

Accessories

Remarks:
1000114 is a flush mounted guide.
1000114/38 is recessed mounted.

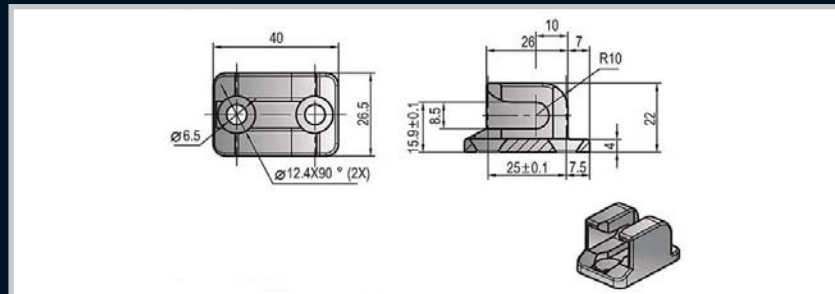
Rotary Operating Handles



Part Number	Description
1000122	Nylon rod guide for flat bar

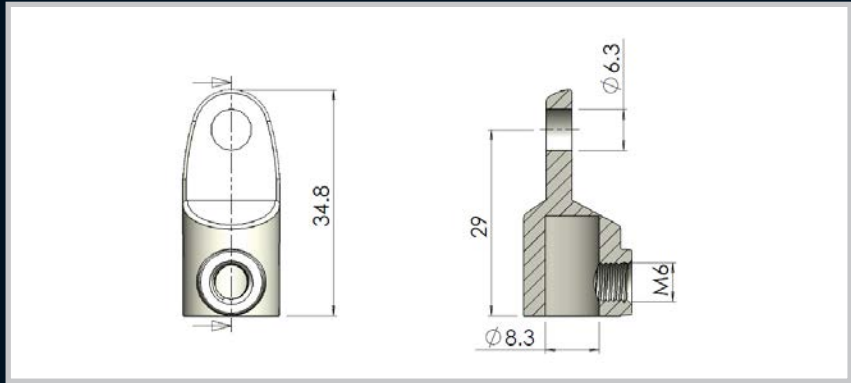
Insulators

Transformer Equipment

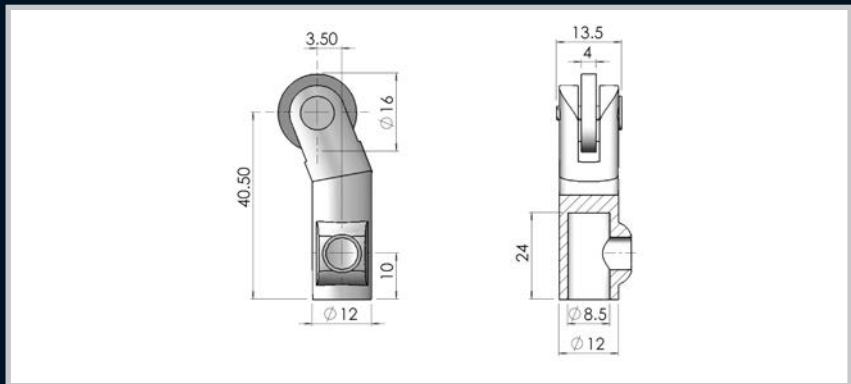
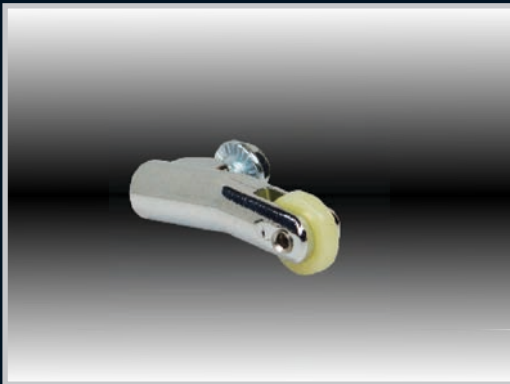


Part Number	Description
1000126	ZDC flat bar locking guide
1000126-R	ZDC flat bar locking guide , raised

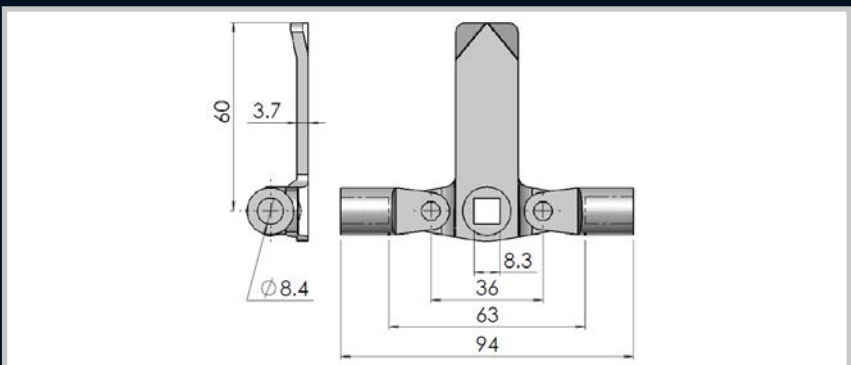
Index



Part Number	Description
017-053	Rod Adaptor



Part Number	Description
A.RG007	Roller Rod End Attachment



Part Number	Material and Finish	Description
CAM08M/S8COMP	Mild steel natural finish	3 point cam with Rod adaptors
CAM08S/S8COMP	Full stainless steel natural finish	3 point cam with Rod adaptors

Enclosures

Hinges

Locks

Handles

Accessories

Rotary Operating
Handles

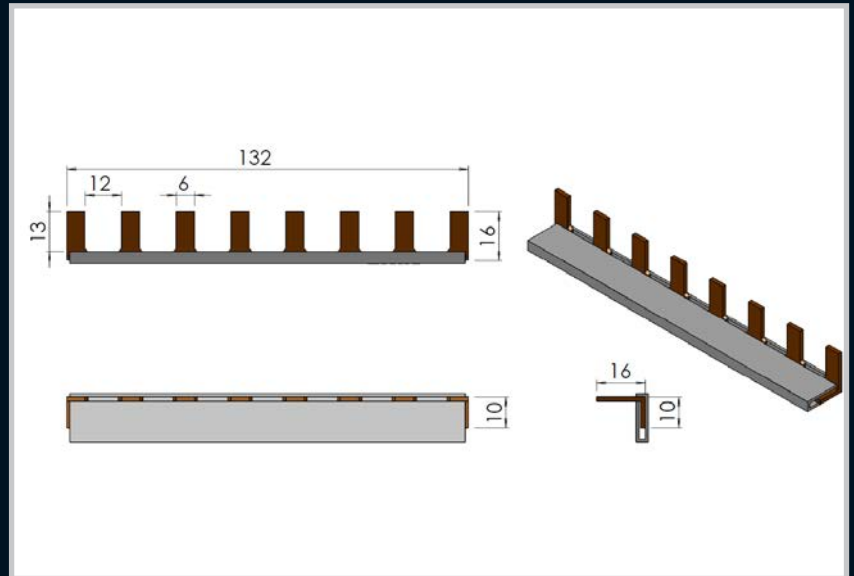
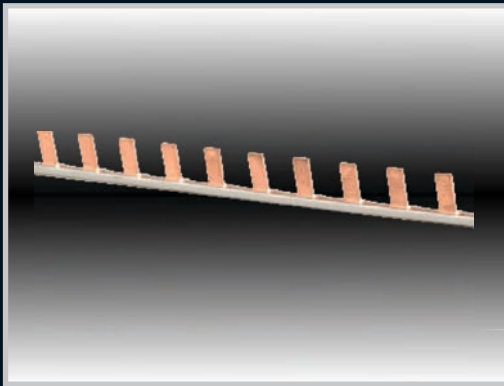
Insulators

Transformer
Equipment

Index

Enclosures

Hinges



Remarks:
Number of poles: 54

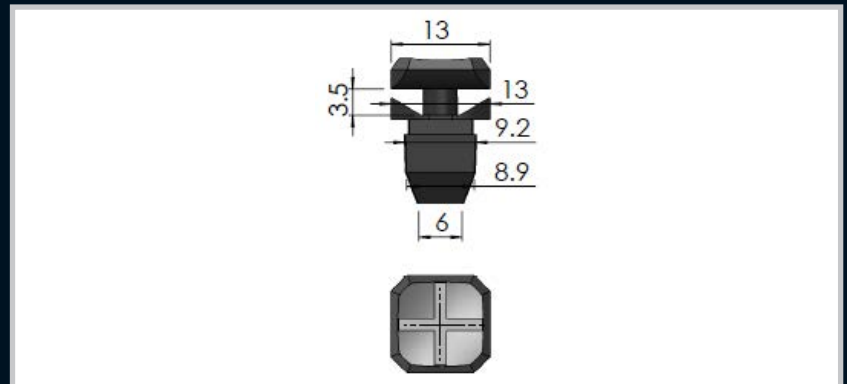
Part Number	Description	Material and Finish
010-103	Comb Jumper Bar	Insulated Copper

Locks

Handles

Arrow Fastener

Accessories



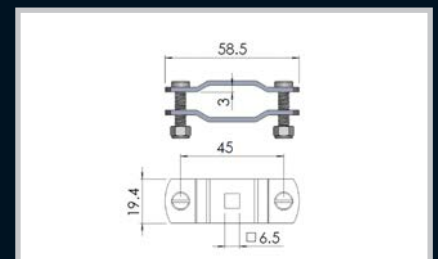
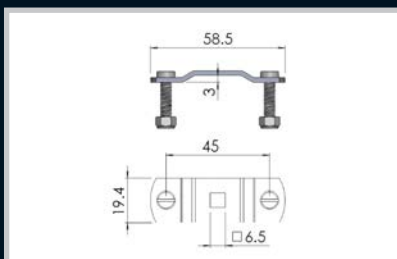
Remarks:
Quarter - turn captive quick release fastener, for applications such as blanking plates in server cabinets.

Part Number	Description
1000110	Arrow fastener / Plastic stopper

Rotary Operating Handles

Insulators

Transformer Equipment



Part number	Description
1000123	Single Lever Plate
1000136	Double Lever Plate

Index