



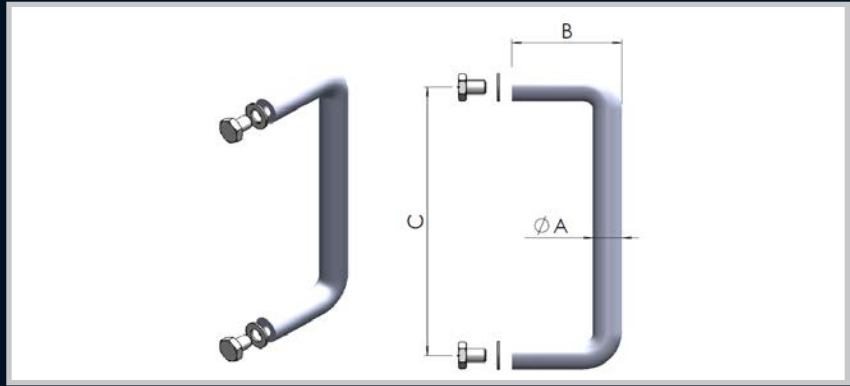
**4**

**Handles**

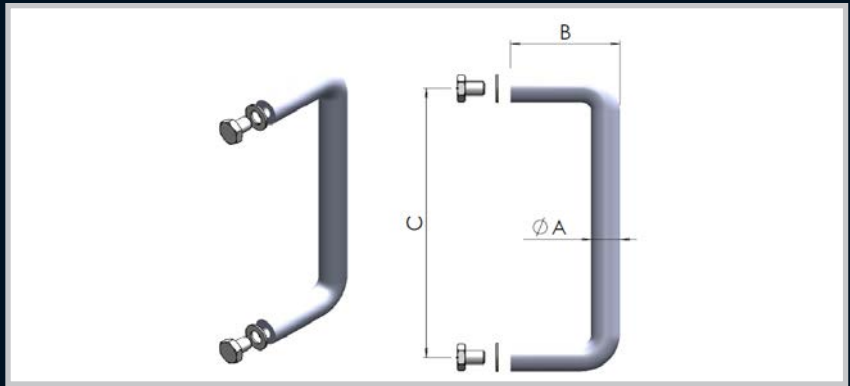


 <p>1010041 - 1010045 Pg.141</p>	 <p>1010051 - 1010055 Pg.141</p>	 <p>1010061 Pg.141</p>	 <p>9401 Pg.142</p>	 <p>1010120 Pg.142</p>	 <p>56.116.S/H Pg.142</p>
 <p>16.150.46.B Pg.143</p>	 <p>22.3.19.K/C Pg.144</p>	 <p>27.3.45.K/D/C.C Pg.144</p>	 <p>22.3.105.25.P/P/K Pg.144</p>	 <p>22.3.23.94.K/D/C Pg.145</p>	 <p>22.3.31.100.K/C Pg.145</p>
 <p>22.3.36.105 Pg.145</p>	 <p>12.L115S/92268 Pg.146</p>	 <p>22.L115S/92268 Pg.146</p>	 <p>12.L115SP/AC Pg.146</p>	 <p>22.L115SP/AC Pg.147</p>	 <p>22.L115/92268/CAM Pg.147</p>
 <p>22.3.31.58.K/C Pg.148</p>	 <p>22.3.37.78 Pg.148</p>	 <p>22.T60/92268/CAM Pg.148</p>	 <p>12.T60S/92268 Pg.149</p>	 <p>22.T.60S/92268 Pg.149</p>	 <p>12.T.100S/CL001 Pg.149</p>
 <p>100.1.58.C/K Pg.150</p>	 <p>96.1.15/92268 Pg.150</p>	 <p>115.1.105/92268 Pg.150</p>			

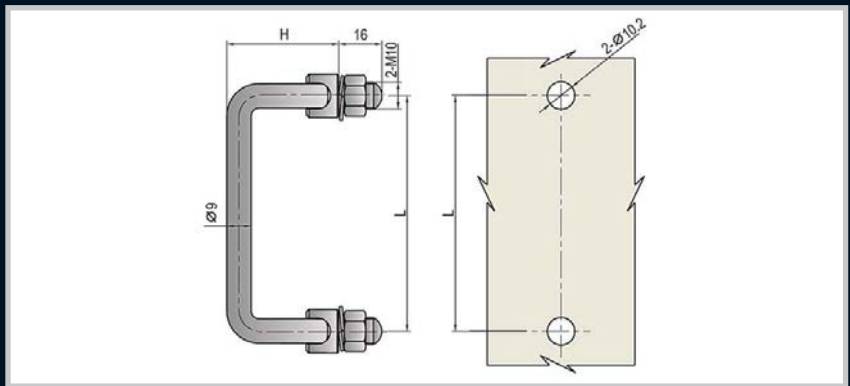
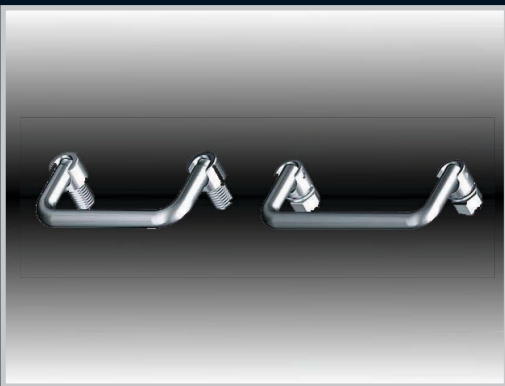
# Standard Handles



Part number	Description	A	B	C	Washer	Screw
1010041	Chrome Plated	6	30	50	M4	M4 X 10
1010042	Chrome Plated	6	30	75	M4	M4 X 10
1010142-8	Chrome Plated	8	30	75	M4	M4 X 10
1010043	Chrome Plated	10	40	100	M5	M5 X 12
1010044	Chrome Plated	12	46	115	M6	M5 X 12
1010045	Chrome Plated	12	60	200	M6	M5 X 12



Part number	Description	A	B	C	Washer	Screw
1010051	Black Powder Coated	6	30	50	M4	M4 X 10
1010052	Black Powder Coated	6	30	75	M4	M4 X 10
1010053	Black Powder Coated	10	40	100	M5	M5 X 12
1010054	Black Powder Coated	12	46	115	M6	M6 X 12
1010055	Black Powder Coated	12	60	200	M6	M5 X 12



Part Number Chrome	Part Number Stainless Steel	L (mm)	H (41.5)	H (51.5)
1010061	1010071	87	141	151
1010062	1010072	100	241	251
1010063	1010073	120	341	351
1010064	1010074	135	441	451
1010065	1010075	150	541	551

Enclosures

Hinges

Locks

Handles

Accessories

Rotary Operating Handles

Insulators

Transformer Equipment

Index

Enclosures



Hinges

Locks

Handles

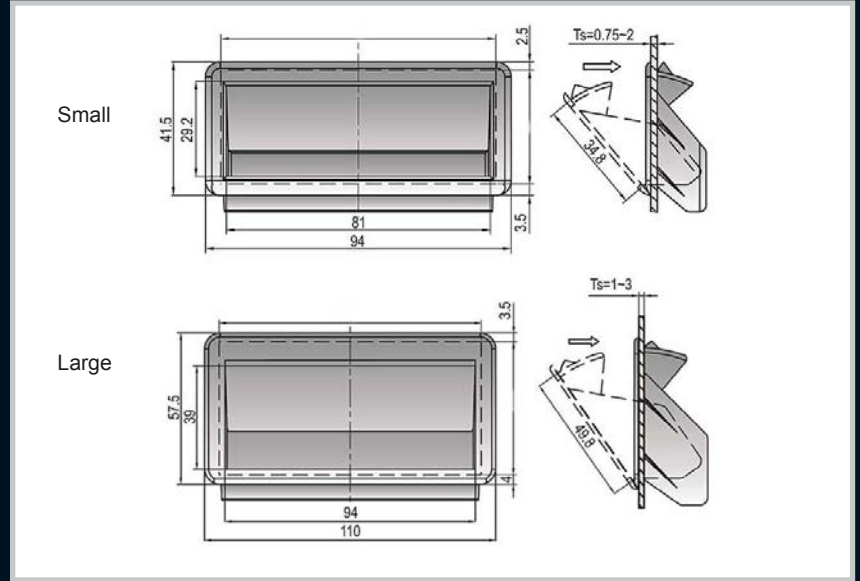
Accessories

Rotary Operating Handles

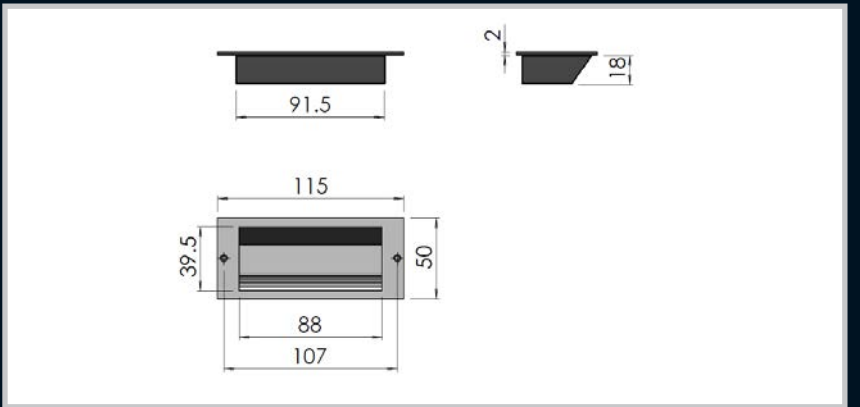
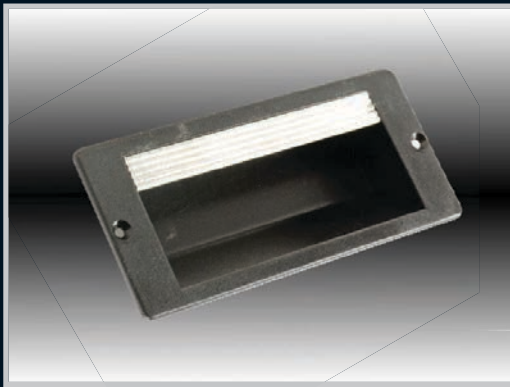
Insulators

Transformer Equipment

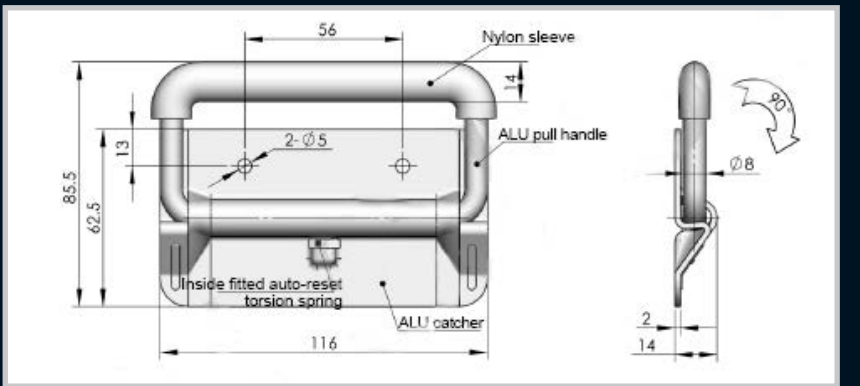
Index



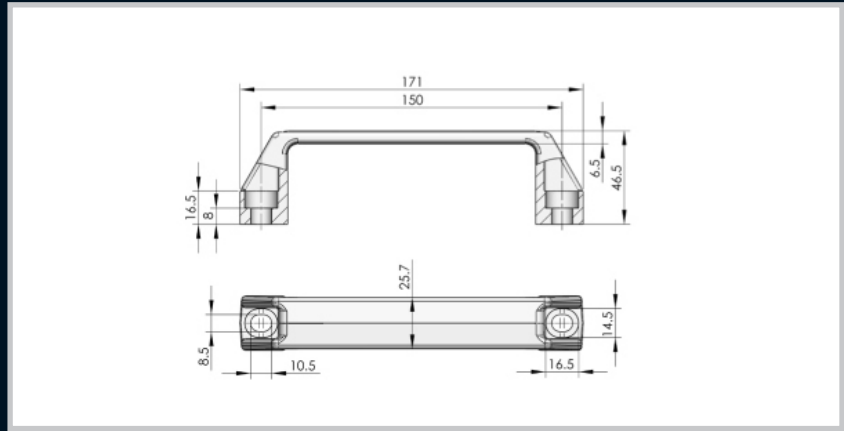
Part Number	Description
9401	Small
11002	Large



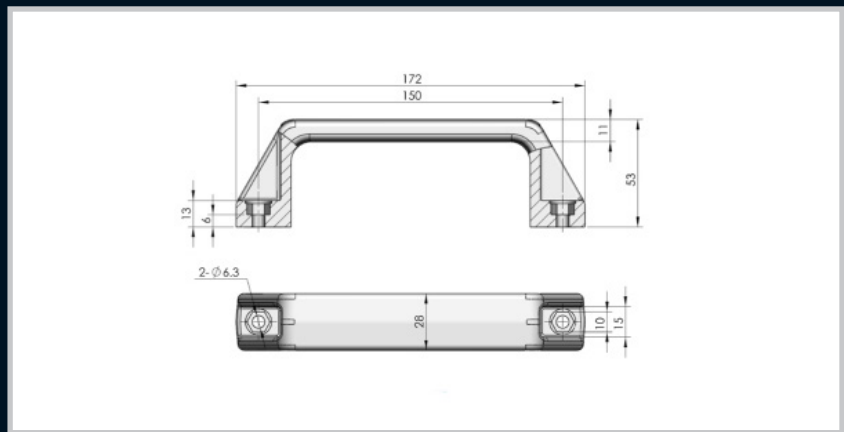
Part Number	Description
1010120	Black plastic with aluminium strip



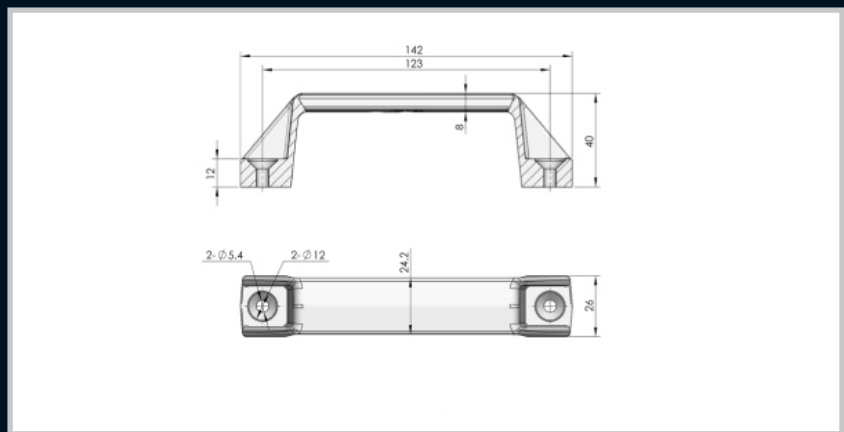
Part Number	Description
56.116.S/H	Spring loaded flush grab handle



Part Number	Description
16.150.46.B	Large plastic grab handle



Part Number	Description
13.150.53.B	Medium plastic grab handle



Part Number	Description
12.123.40.B	Small plastic grab handle

Enclosures

Hinges

Locks

Handles

Accessories

Rotary Operating  
Handles

Insulators

Transformer  
Equipment

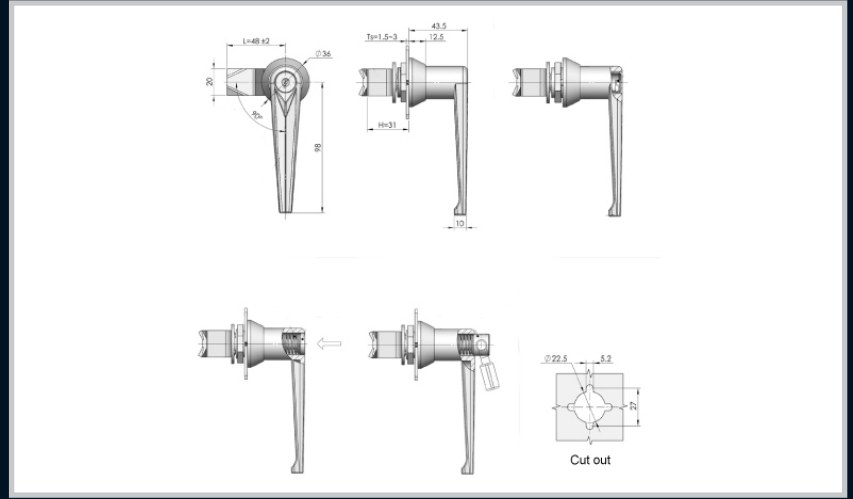
Index

Enclosures



Hinges

Locks

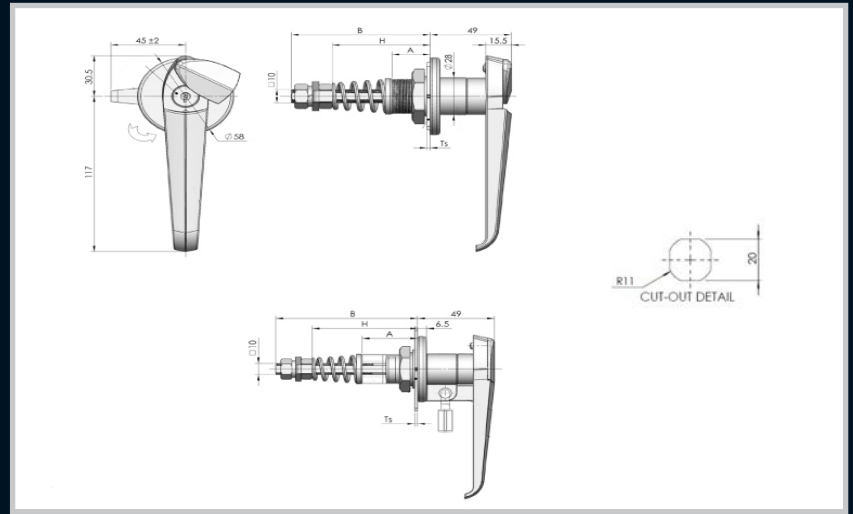


Part Number	Description
22.3.19.K/C	Key lockable L-handle Chrome

Handles



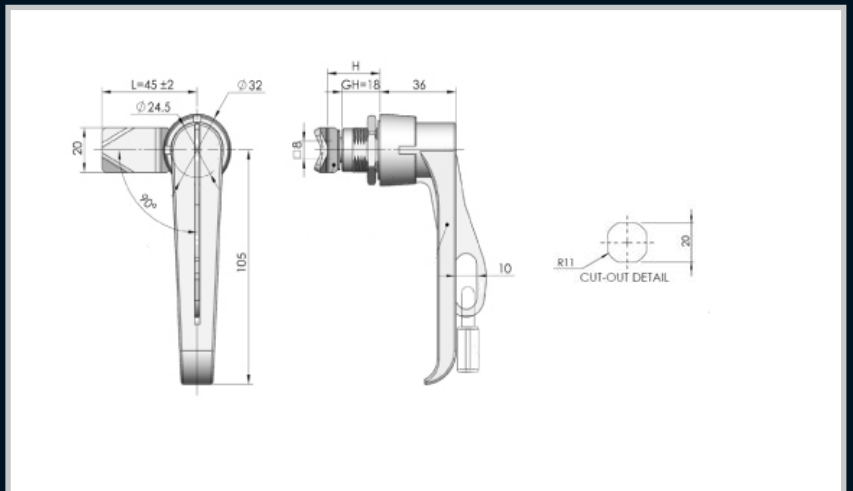
Accessories



Part Number	Description
27.3.45.K/D/C.C	Key lockable compression L-handle with dust cap adjustable depth, Chrome
27.3.45.K/DK.C	Key and Padlockable compression L-handle with dust cap, adjustable depth
27.3.45.K/D/C	Key lockable L-handle with dust cap 117mm, Chrome

Rotary Operating Handles

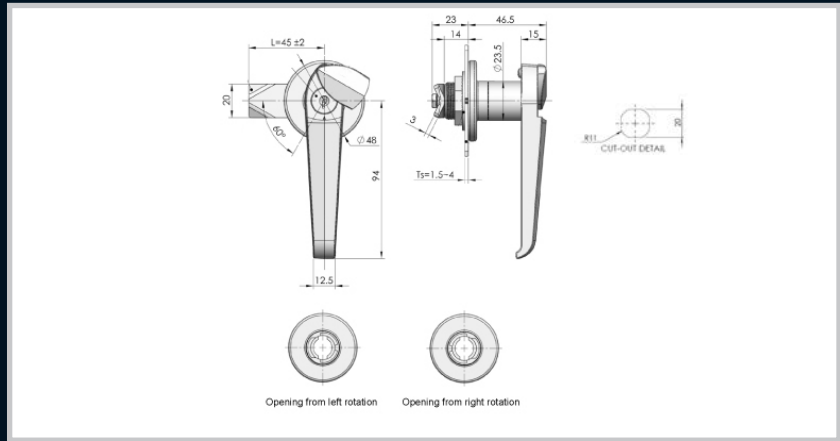
Insulators



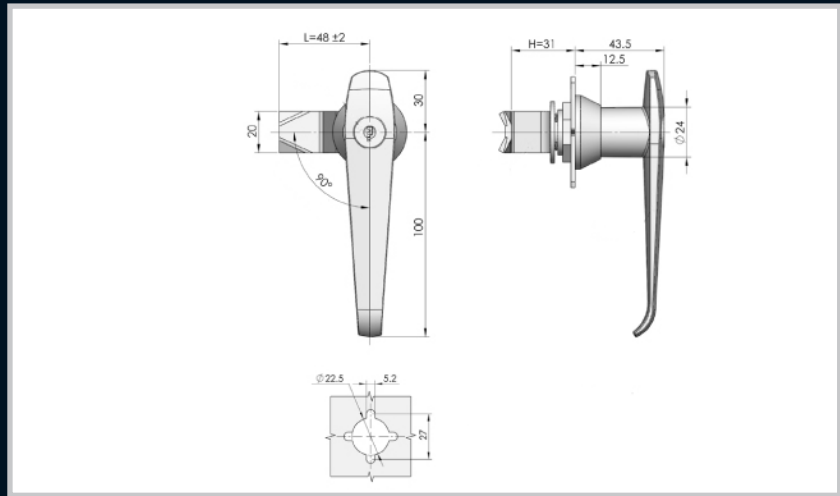
Transformer Equipment

Part Number	Description
22.3.105.25.PP/K	Padlockable L-handle , Chrome

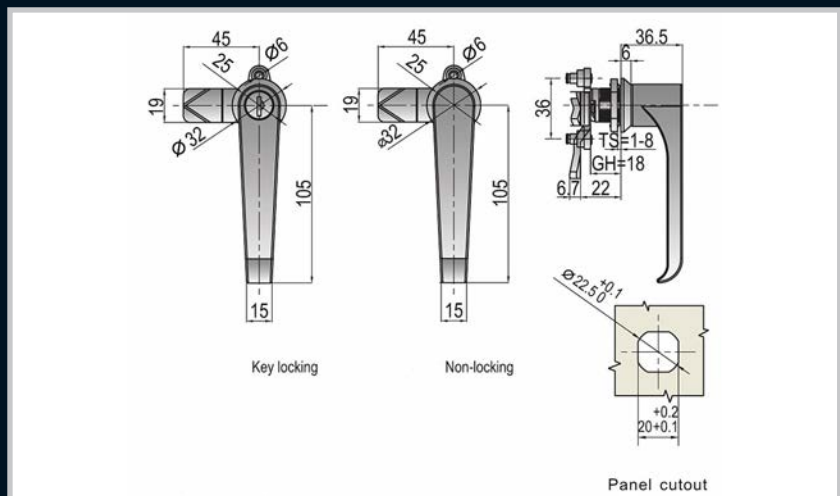
Index



Part Number	Description
22.3.23.94.KDC	Key lockable L-handle with dust cap 94mm, Chrome



Part Number	Description
22.3.31.100.K/C	Key lockable L-handle 100mm, Chrome



Part Number	Description
22.3.36.105K/B	Black powder coated ZDC housing and handle, MS cam, Key locking
22.3.36.105K/C	Chrome plated ZDC housing and handle, MS cam, Key locking
22.3.36.105B	Black powder coated ZDC housing and handle, MS cam, Non locking
22.3.36.105C	Chrome plated ZDC housing and handle, MS cam, Non locking
22.3.36.105SS	Stainless Steel housing and handle, Stainless steel cam, non locking

Enclosures

Hinges

Locks

Handles

Accessories

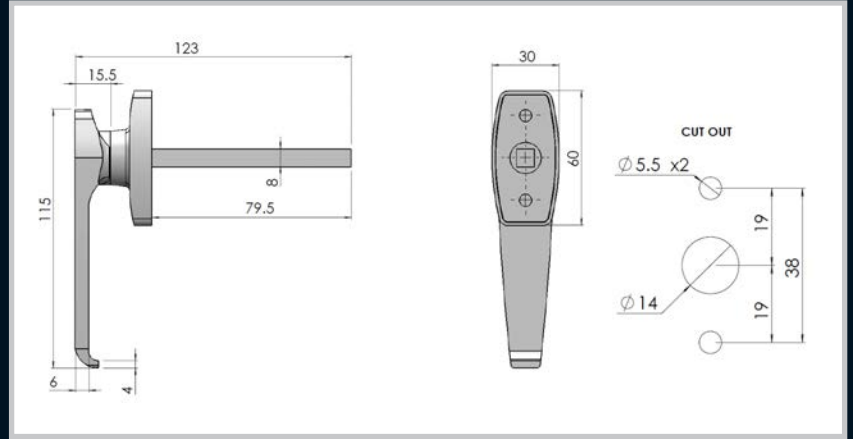
Rotary Operating  
Handles

Insulators

Transformer  
Equipment

Index

Enclosures



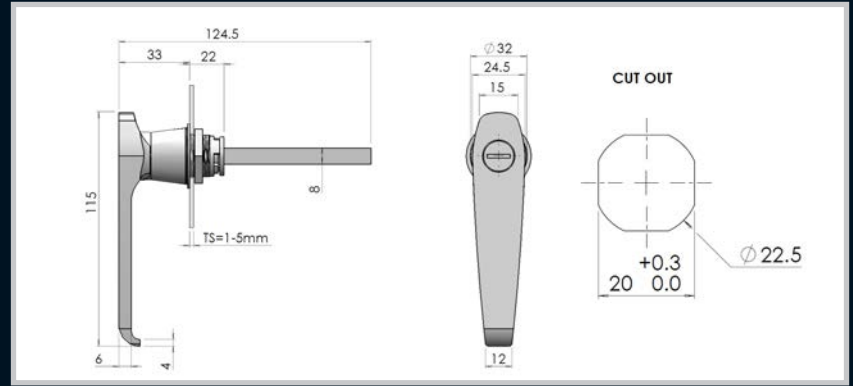
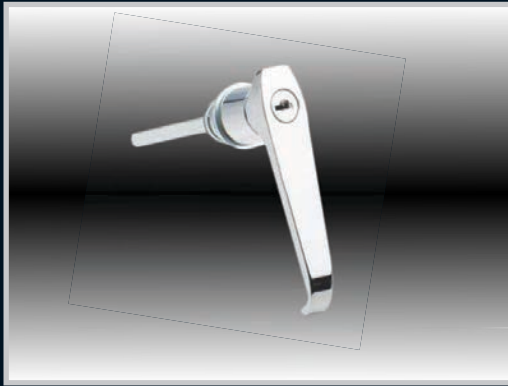
Hinges

Locks

**Remarks:**  
Key options:  
Key 92268  
Key CL001

Part Number	Description
12.L115S/92268	L handle Chrome Locking Concealed Fix With Spindle
12.L115S/CL001	L Handle Chrome Locking Concealed Fix With Spindle

Handles



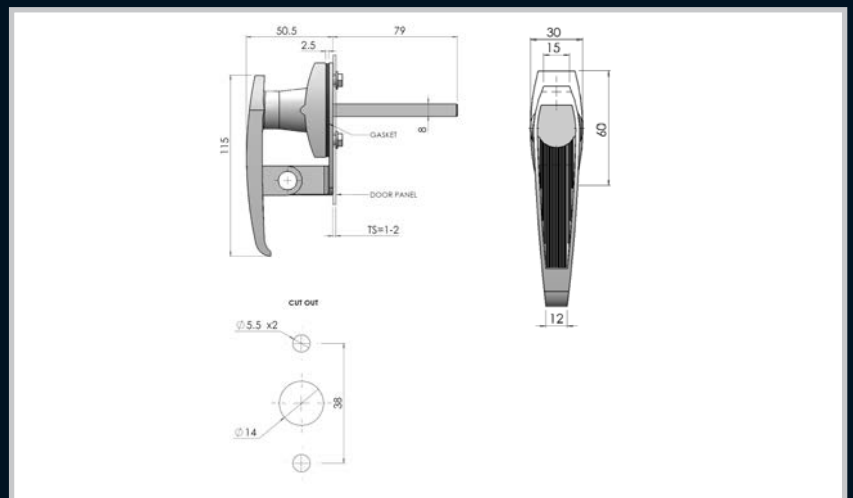
Accessories

Rotary Operating Handles

**Remarks:**  
Key options:  
Key 92268  
Key CL001

Part Number	Description
22.L115S/92268	L handle Chrome Locking 1/4 Turn Fix With Spindle
22.L115S/CL001	L Handle Chrome Locking 1/4 Turn Fix With Spindle

Insulators



Transformer Equipment

**Remarks:**  
Movement options:  
A/C - Anti-clockwise to unlock  
C/W - Clockwise to unlock

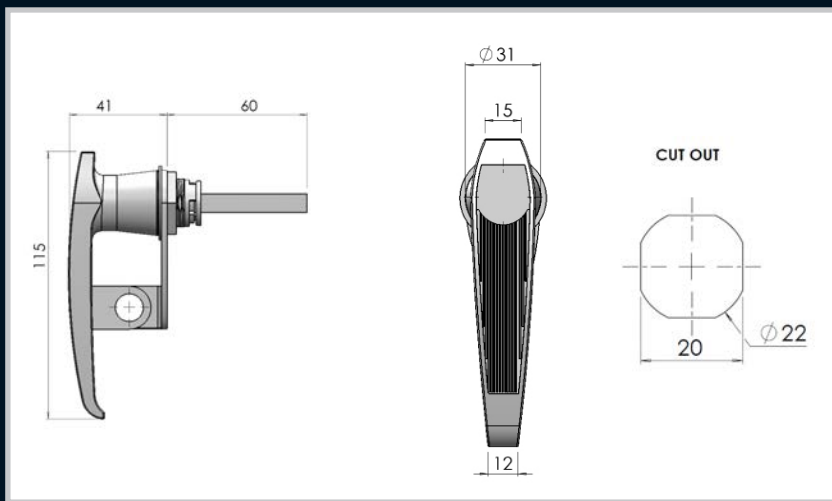
Part Number	Description
12.L115SP/AC	L Handle Padlockable Concealed Fix With Spindle A/C To Unlock
12.L115SP/CW	L Handle Padlockable Concealed Fix With Spindle C/W To Unlock

Index





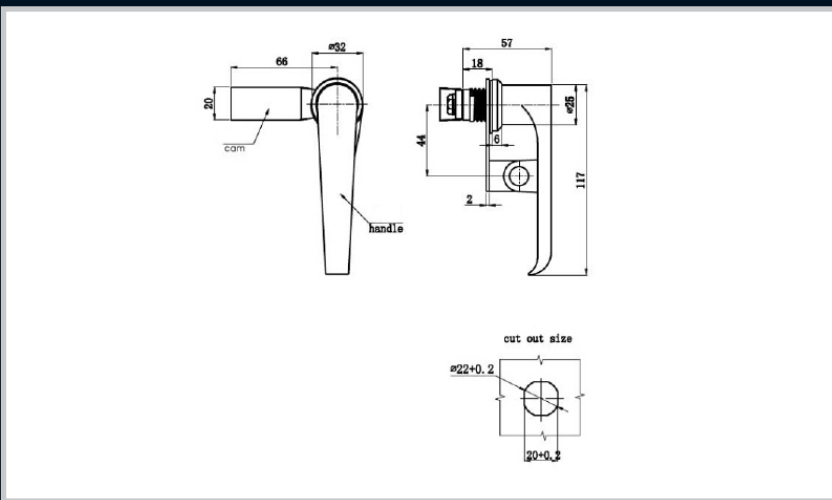
**Remarks:**  
 Movement options:  
 A/C - Anti-clockwise to unlock  
 C/W - Clockwise to unlock



Part Number	Description
22.L115SP/AC	L-handle padlock 1/4 turn fix with spindle A/C to Unlock
22.L115SP/CW	L-handle padlock 1/4 turn fix with spindle C/W to Unlock



**Remarks:**  
 Movement options:  
 A/C - Anti-clockwise to unlock  
 C/W - Clockwise to unlock



Part Number	Description
22.L115/92268/CAM	L Handle Chrome Locking 1/4 Turn Fix No Spindle With Cam
22.L115P/CW/CAM	L Handle Padlockable 1/4 Turn Fix No Spindle C/W To Unlock With Cam
22.L115P/AC/CAM	L Handle Padlockable 1/4 Turn Fix No Spindle A/C To Unlock With Cam

Enclosures

Hinges

Locks

Handles

Accessories

Rotary Operating Handles

Insulators

Transformer Equipment

Index

Enclosures

Hinges

Locks

Handles

Accessories

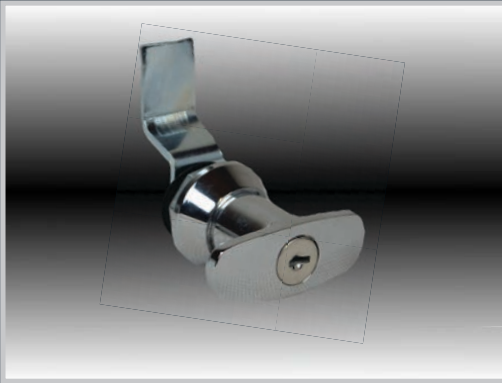
Rotary Operating  
Handles

Insulators

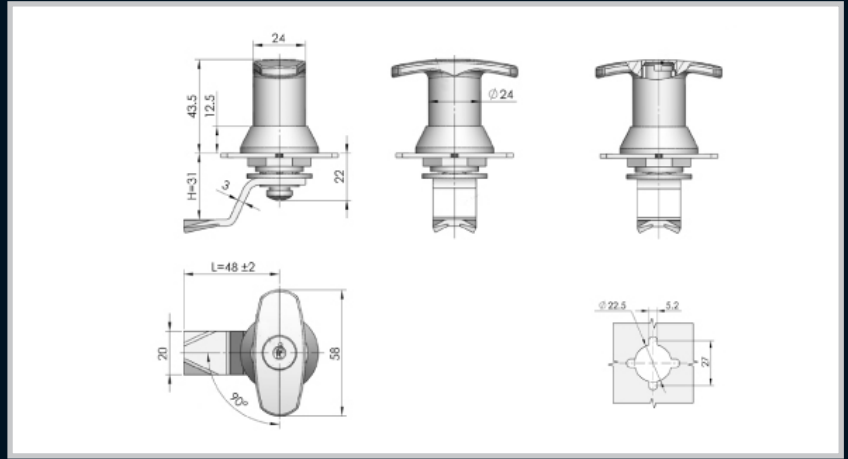
Transformer  
Equipment

Index

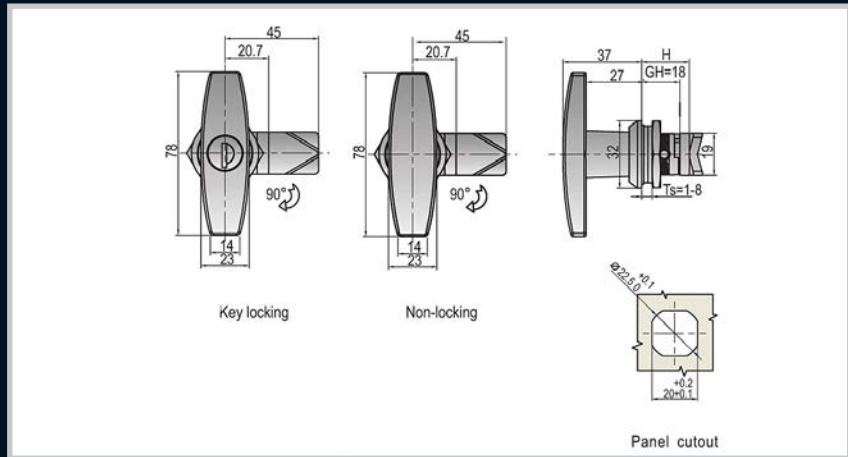
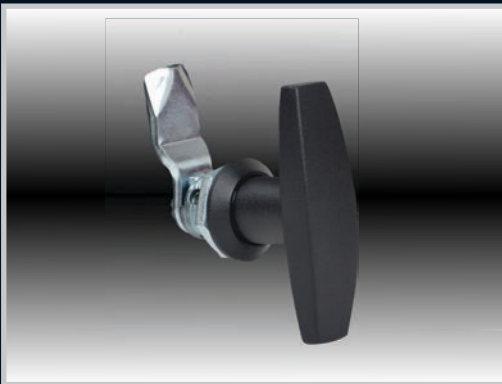
## T - Handle



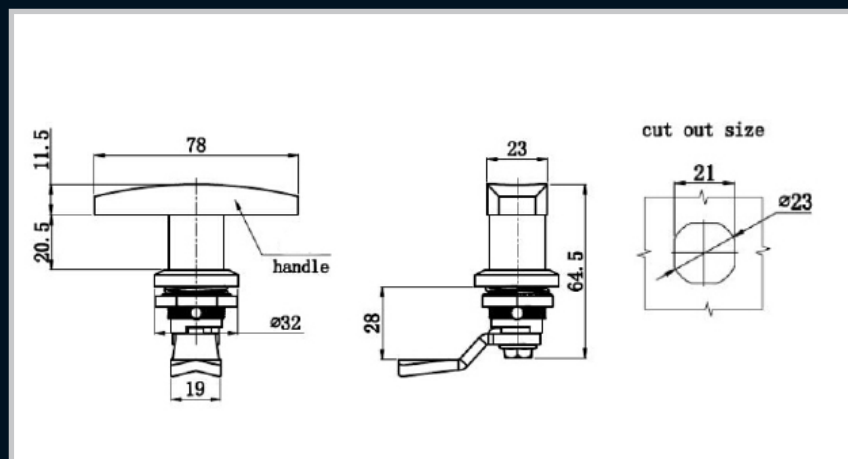
**Remarks:**  
For cam options refer to pages 135,136,137



Part Number	Description
22.3.31.58.K/C	Key lockable T-handle, Chrome

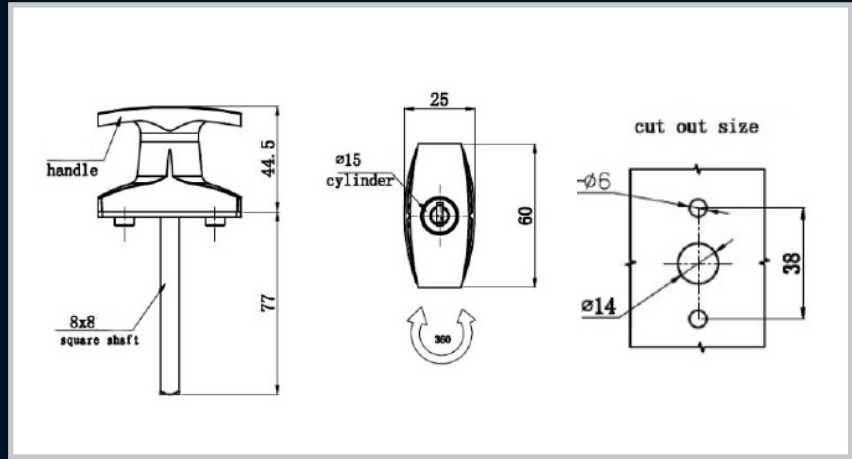


Part Number	Description
22.3.18.BK.78	Black powder coated ZDC housing and handle, MS cam, Key locking
22.3.30.60B	Black powder coated ZDC housing and handle, MS cam, Non locking



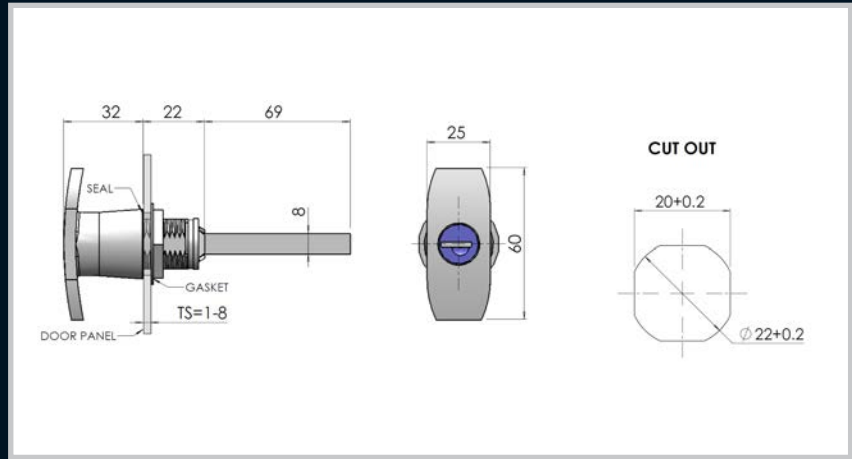
Part Number	Description
22.T60/92268/CAM	T-Handle chrome locking 1/4 turn fix no spindle with cam

# T-Handles



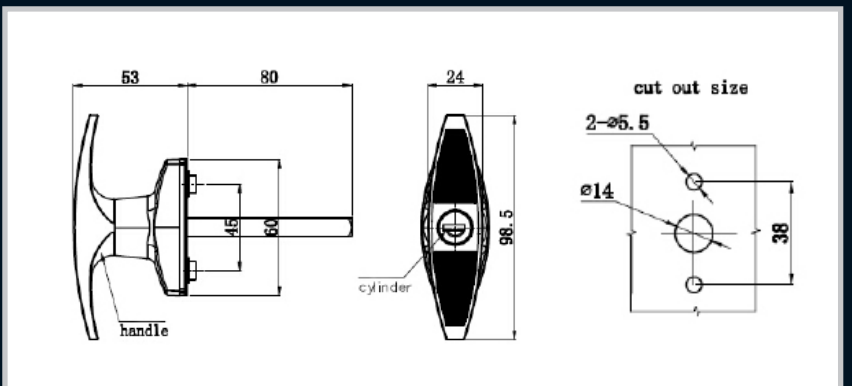
Part Number	Description
12.T.60S/92268	T-handle chrome locking concealed fix with spindle key 92268
12.T.60S/CL001	T-handle chrome locking concealed fix with spindle key CL001

## Mini T - Handle



Part Number	Description
22.T.60S/92268	T-handle chrome locking 1/4 turn fix with spindle key 92268
22.T.60S/CL001	T-handle chrome locking 1/4 turn fix with spindle key CL001

## Large T - Handle



**Remarks:**  
**Concealed Fix , Movement 180 Degrees**  
 Key options:  
 Key 92268  
 Key CL001

Part Number	Description
12.T.100S/CL001	Large T-handle chrome locking concealed fix with spindle key CL001
12.T.100S/92268	Large T-handle chrome locking concealed fix with spindle key 92268

Enclosures

Hinges

Locks

Handles

Accessories

Rotary Operating  
Handles

Insulators

Transformer  
Equipment

Index

Enclosures

Hinges

Locks

Handles

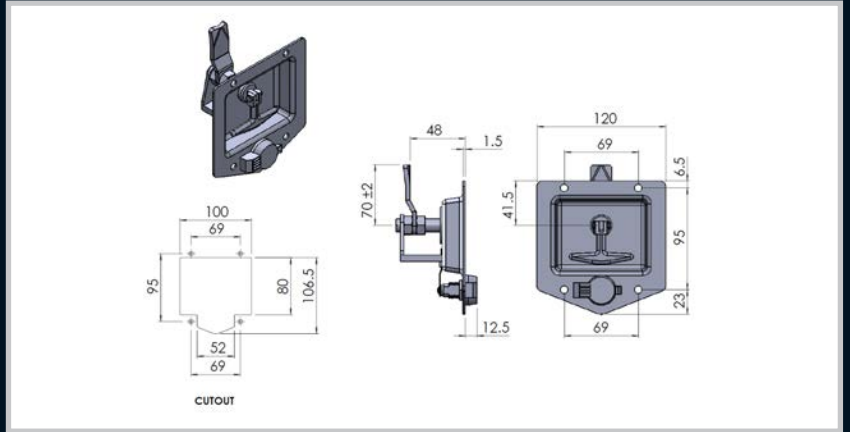
Accessories

Rotary Operating  
Handles

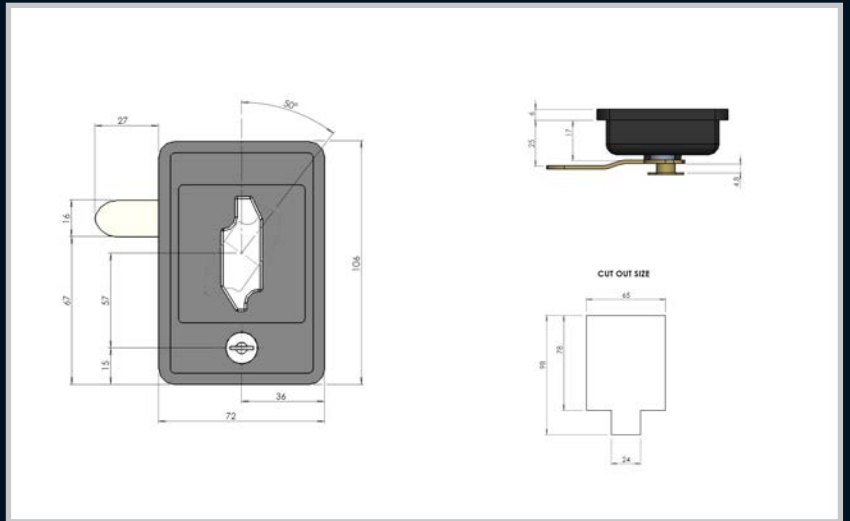
Insulators

Transformer  
Equipment

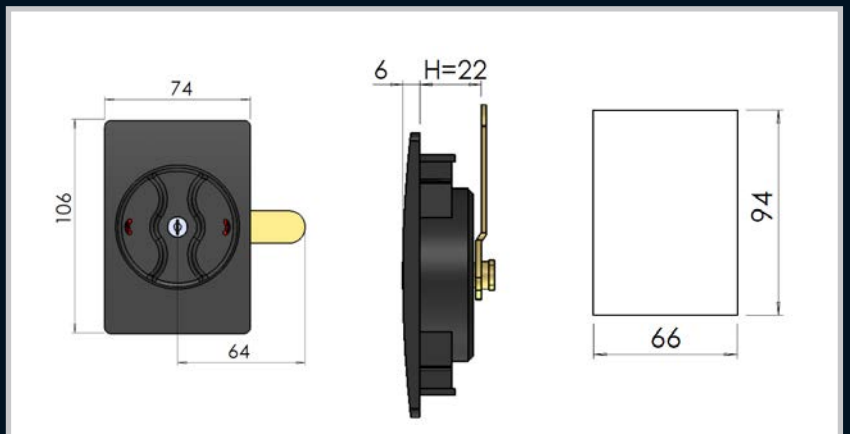
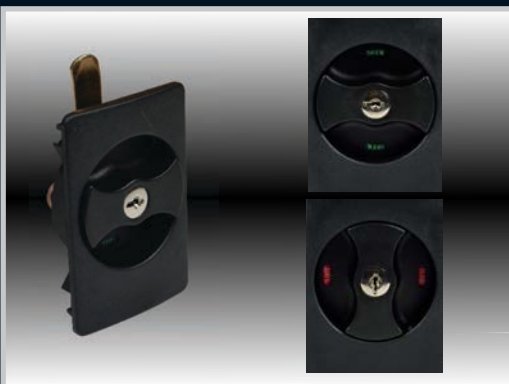
Index



Part Number	Description
100.1.58.C/K	Key lockable flush adjustable paddle latch with T- handle , Chrome



Part Number	Description
96.1.15/92268	Black zinc flush handle keyed 92268
96.1.15/CL001	Black zinc flush handle keyed CL001



Part Number	Description
115.1.105/92268	Black plastic flush handle keyed 92268
115.1.105/CL001	Black plastic flush handle keyed CL001