

2

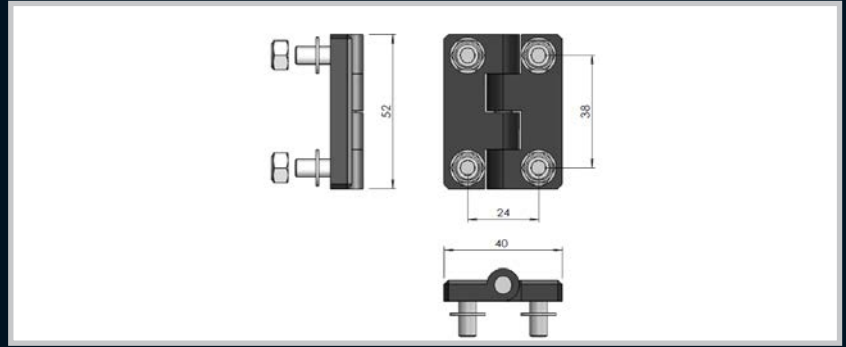
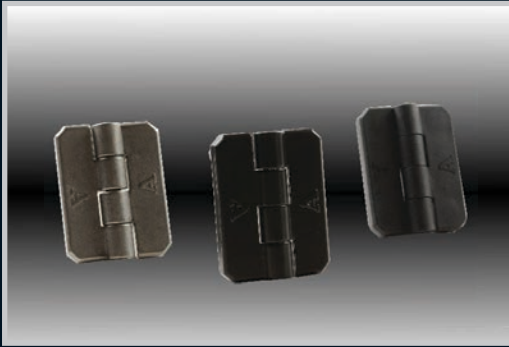
Hinges

 <p>1010168 Pg. 60</p>	 <p>083-002 Pg.61</p>	 <p>150.32.60 Pg.61</p>	 <p>89.178.203 Pg.61</p>	 <p>40540 Pg.61</p>	 <p>60.60.36 Pg.62</p>
 <p>90.60.36 Pg.62</p>	 <p>6037 Pg.62</p>	 <p>5052-0 Pg.60</p>	 <p>4944-0 Pg.60</p>	 <p>40.64.64 Pg.60</p>	 <p>1010071 Pg.64</p>
 <p>1010073 Pg.64</p>	 <p>1010075 Pg.64</p>	 <p>HB32 - HB100 Pg.65</p>	 <p>HB32PC - HB100PC Pg.65</p>	 <p>083-007 Pg.66</p>	 <p>083-005 Pg.66</p>
 <p>1010126 Pg.67</p>	 <p>1010125 Pg.67</p>	 <p>083-006 Pg.68</p>	 <p>1010176 Pg.68</p>	 <p>1010180 Pg.68</p>	 <p>HB82B19H Pg.69</p>
 <p>HB82B24H Pg.69</p>	 <p>HB44B24H Pg.69</p>	 <p>641510 Pg.70</p>	 <p>643210 Pg.70</p>	 <p>645010 Pg.70</p>	 <p>302058B Pg.71</p>
 <p>423825B Pg.71</p>	 <p>40110 Pg.72</p>	 <p>3010 Pg.72</p>	 <p>410110/B Pg.72</p>	 <p>1010122 Pg.73</p>	 <p>1010127 Pg.73</p>

 <p>1010151 Pg.74</p>	 <p>1010150 Pg.74</p>	 <p>230201 Pg.75</p>	 <p>20021 Pg.75</p>	 <p>60011 Pg.75</p>	 <p>7001 Pg.76</p>
 <p>3501 Pg.76</p>	 <p>6001 Pg.76</p>	 <p>1010185 Pg.77</p>	 <p>083-004 Pg.74</p>	 <p>AL250-6 Pg.77</p>	 <p>90.80.5 Pg.78</p>
 <p>WTLH60SS Pg.78</p>	 <p>WTRH60SS Pg.78</p>	 <p>MS50-150 SS50-150 Pg.81</p>	 <p>1010145 Pg.80</p>	 <p>1010182 Pg.80</p>	 <p>GDH40MM Pg.81</p>
 <p>083-003 Pg.81</p>					

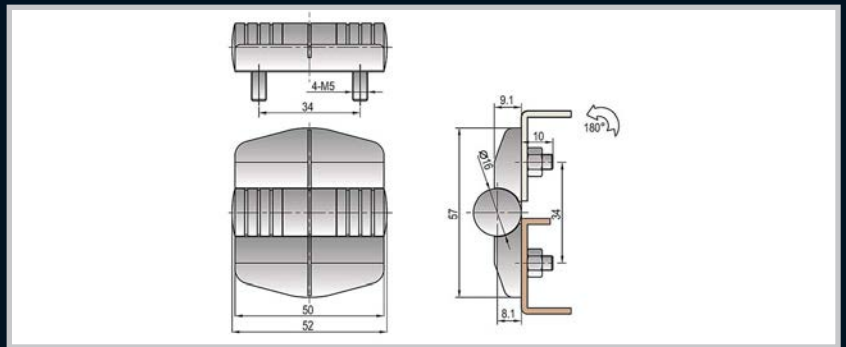
Enclosures

Hinges



Part Number	Description
1010168	ZDC, black powder coated, MS 6mm studs and fasteners
1010168S/S	Full stainless steel 6mm studs
1010168N	Nylon black with stainless steel 6mm studs and fasteners

Locks

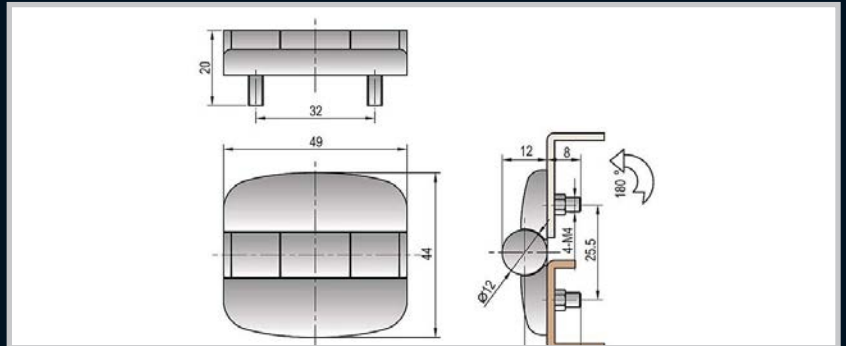


Remarks:
Available in black textured powder coated.

Part Number	Description
5052-0	Black powder coated with plastic waterproof cover

Handles

Accessories

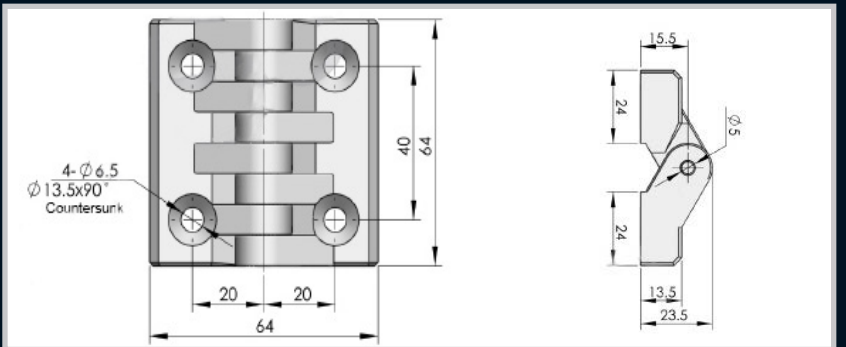


Remarks:
Available in black textured powder coated.

Part Number	Description
4944-0	Black powder coated with plastic waterproof cover and threaded studs

Rotary Operating Handles

Insulators

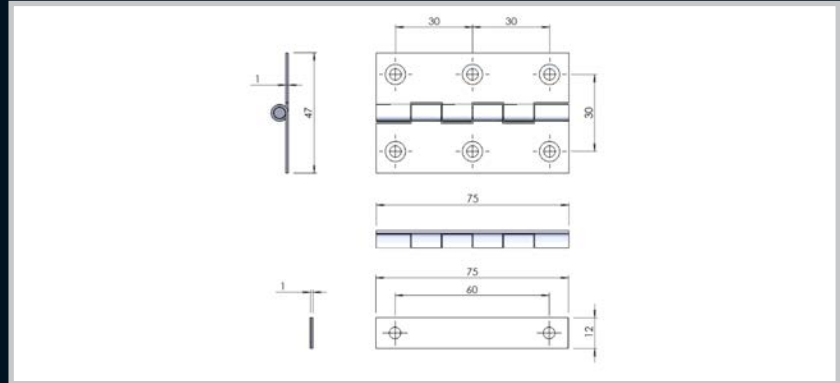


Transformer Equipment

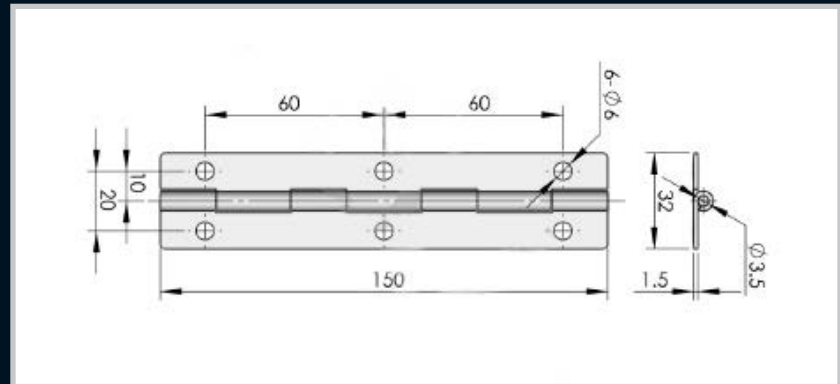
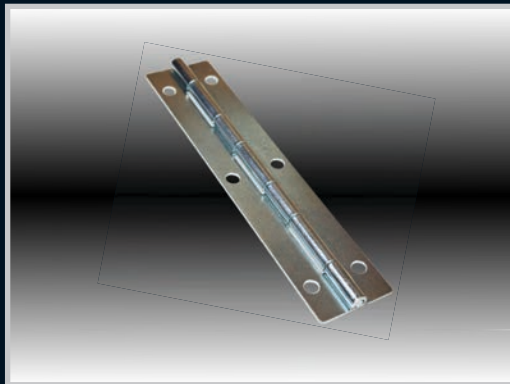
Index

Part Number	Description
40.64.64	Black PA hinge with steel pin, opening angle 180°

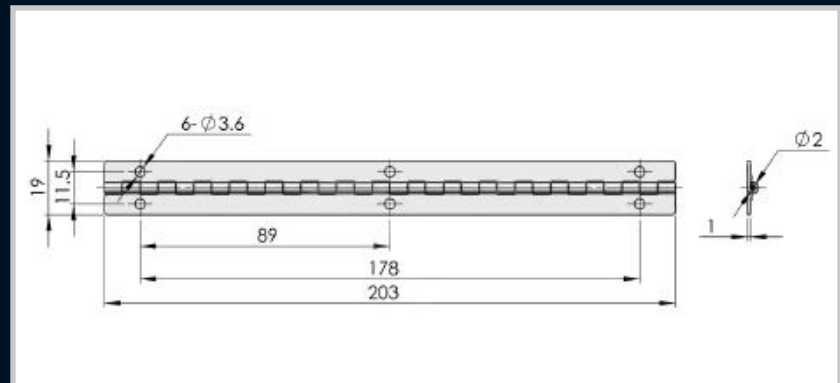
Butt Hinges



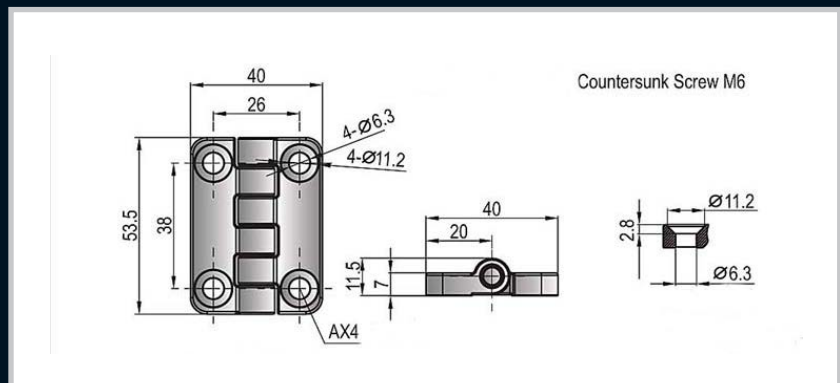
Part Number	Description
083-002	Complete stainless steel natural finish



Part Number	Description
150.32.60	White Zinc plated steel piano hinge opening angle 180°



Part Number	Description
89.178.203	Aluminium piano hinge



Part Number	Description
40540/B	Black powder coated
40540/C	Chrome

Remarks:
Available in black powder coated and chrome finish.

Enclosures

Hinges

Locks

Handles

Accessories

Rotary Operating Handles

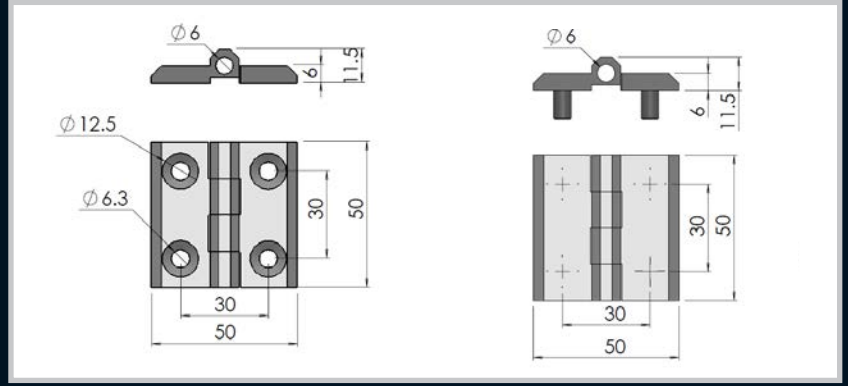
Insulators

Transformer Equipment

Index

Enclosures

Hinges



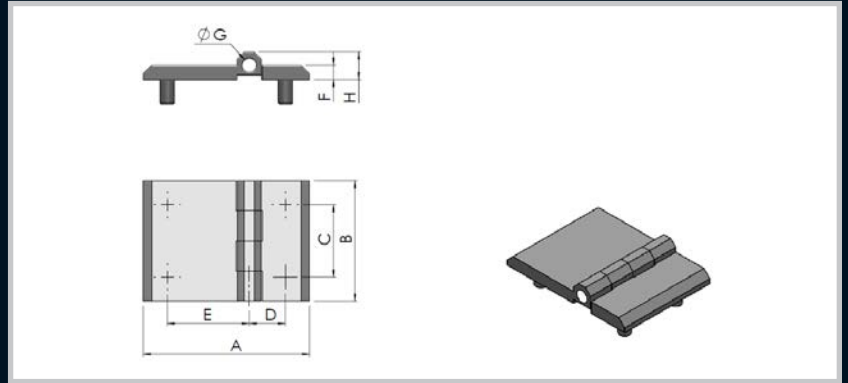
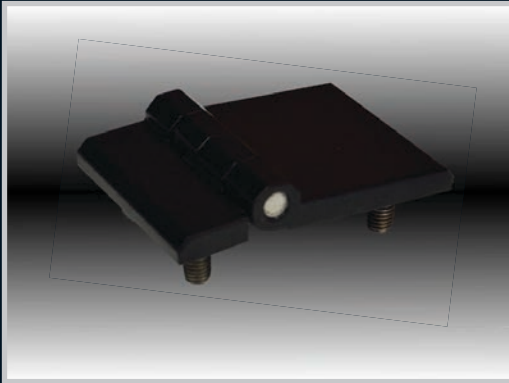
Locks

Handles

Part Number	Description	A (mm)	B (mm)	C (mm)	D (mm)	E (mm)	F (mm)	G (mm)
60.60.36CH	Countersunk hole, ZDC	36	60	16.5	8.4	8	15	8
60.60.36SE	Screw embedded, ZDC	36	60	16.5	8.4	8	15	8
60.60.36CH.S/S	Countersunk hole, stainless steel	36	60	16.5	8.4	8	15	8
50.50.30CH	Countersunk hole, ZDC	30	50	12.5	6.3	6	11.5	6
50.50.30SE	Screw embedded, ZDC	30	50	-	-	6	11.5	6
50.50.30SH	Step hole, ZDC	30	50	-	-	6	11.5	6
50.50.30CH.P	Countersunk hole, PA	30	50	12.5	6.3	6	11.5	6
50.50.30CH.S/S	Countersunk hole, stainless steel	30	50	12.5	6.3	6	11.5	6
40.40.25CH	Countersunk hole, ZDC	25	40	10.2	5.3	5	9	4
40.40.25S/E.6	Screw embedded, ZDC	25	40	10.2	5.3	5	9	4

Accessories

Rotary Operating Handles

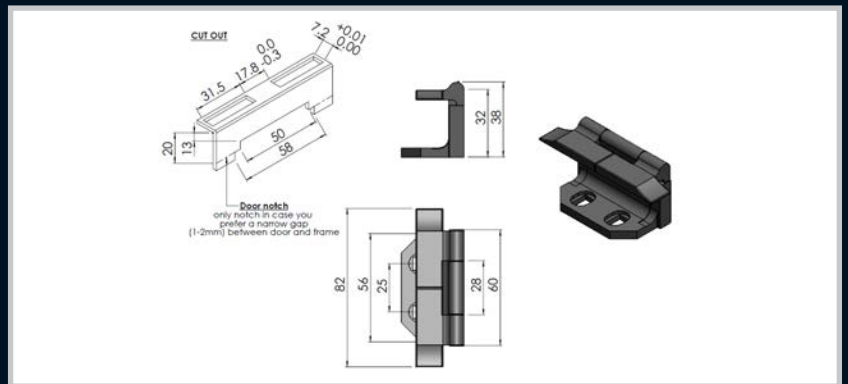


Insulators

Part Number	Description	A (mm)	B (mm)	C (mm)	D (mm)	E (mm)	F (mm)	G (mm)	H (mm)
90.60.36CH	8.4 Countersunk hole, ZDC	90	60	36	18	44	8	8	15
90.60.36SE	M8 Screw embedded, ZDC	90	60	36	18	44	8	8	15
63.50.30CH	6.3 Countersunk hole, Stainless steel	63	50	30	15	28	6	6	11.5
63.50.30SE	M6 Screw embedded, ZDC	63	50	30	15	28	6	6	11.5

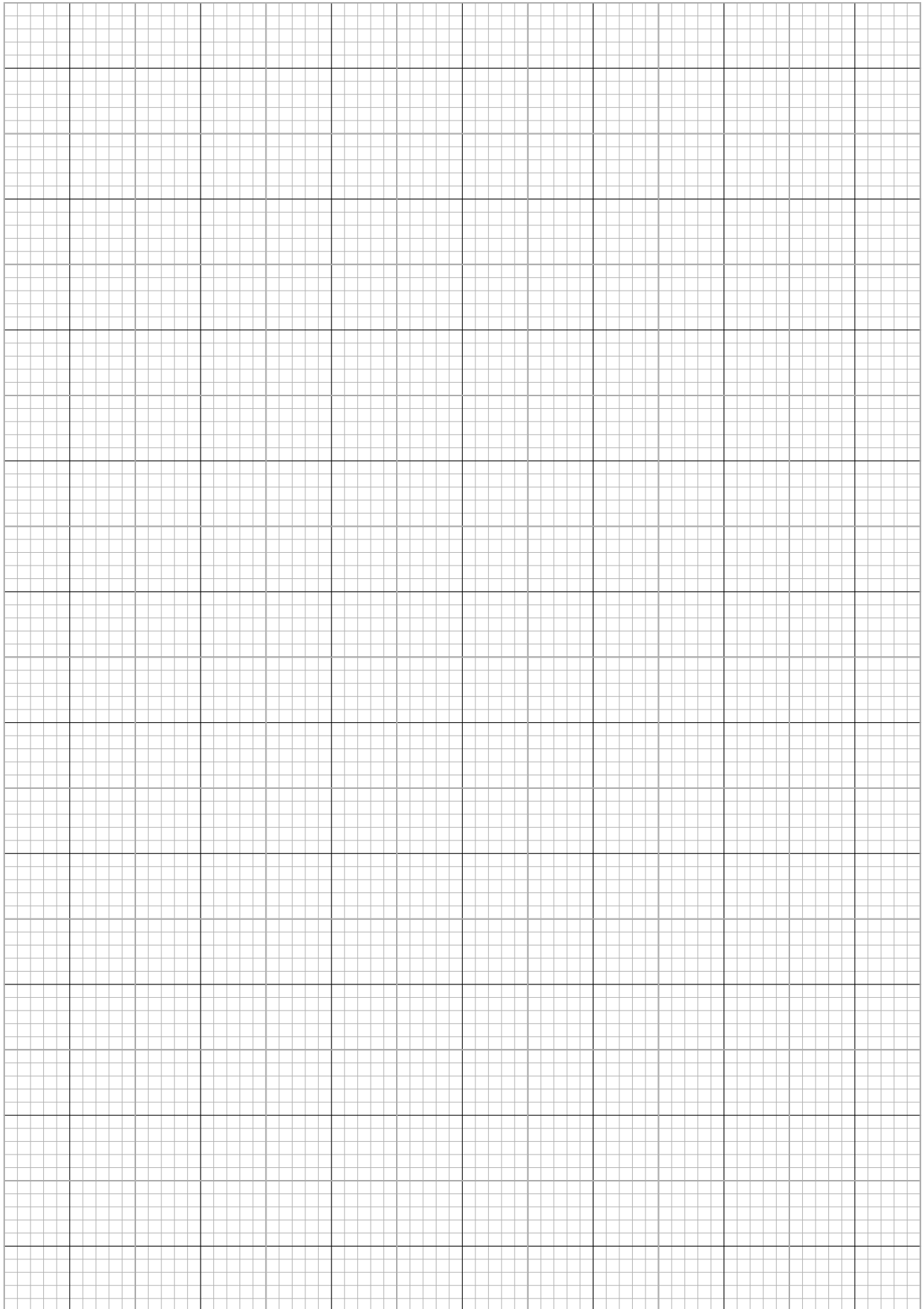
Transformer Equipment

Index



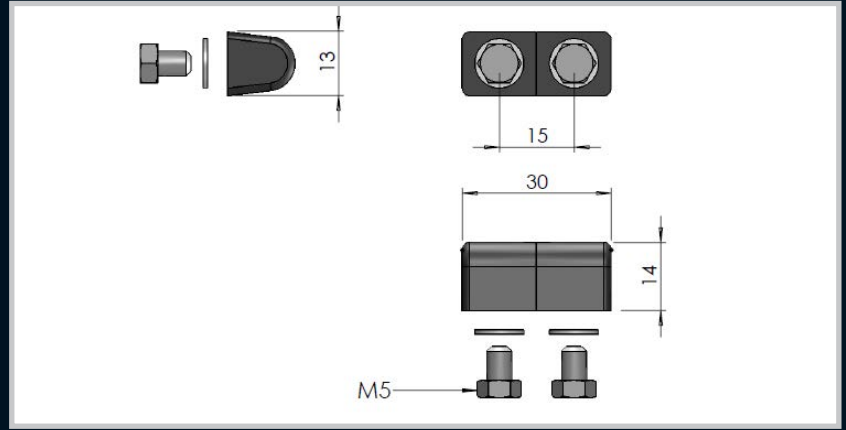
Part Number	Description
6037	Black PA hinge, opening angle 180°

Notes:



Enclosures

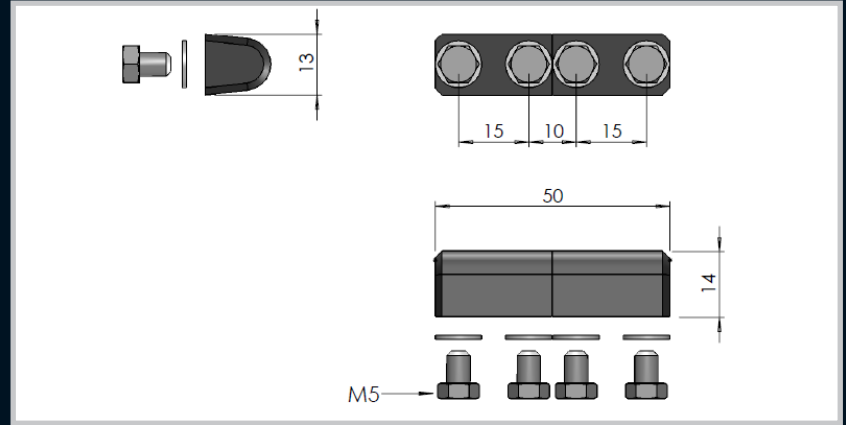
Hinges



Part Number	Description
1010071	ZDC Black powder coated MS stud and fastener 5mm

Locks

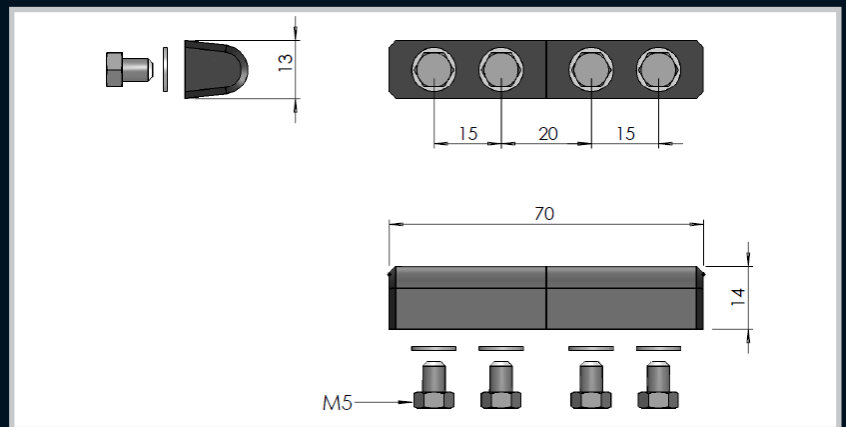
Handles



Part Number	Description
1010073	ZDC Black powder coated MS stud and fastener 5mm

Accessories

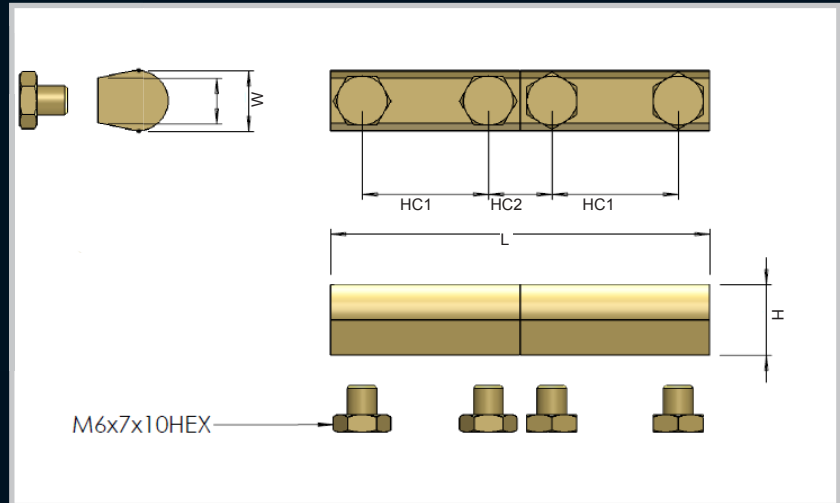
Rotary Operating Handles



Part Number	Description
1010075	ZDC Black powder coated MS stud and fastener 5mm

Transformer Equipment

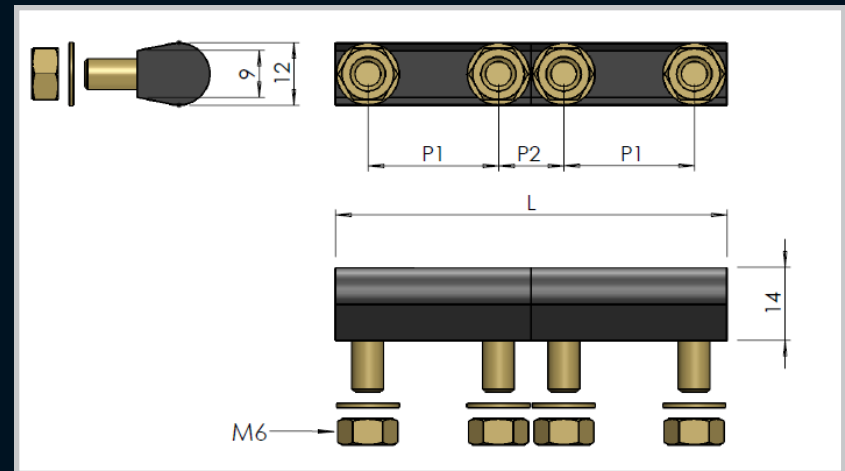
Index



Part Number	Description	L (mm)	W (mm)	W2 (mm)	H (mm)	HC1 (mm)	HC2 (mm)
HB32	Brass natural with brass Hex screws	32	12	9	14	16	/
HB60/SCREW	Brass natural with brass Hex screws	60	12	9	14	20	10
HB75	Brass natural with brass Hex screws	75	12	9	14	25	12.5
HB100	Brass natural with brass Hex screws	100	12	9	14	25	25



Remarks:
Comes with 6 mm studs



Part Number	Description	L (mm)	W2 (mm)	W1 (mm)	H (mm)	P1 (mm)	P2 (mm)
HB32P/C	Brass Black powder coated with 6mm studs	32	12	9	14	20	10
HB60P/C	Brass Black powder coated with 6mm screws	60	12	9	14	20	10
HB75P/C	Brass Black powder coated with 6mm studs	75	12	9	14	25	12.5
HB100P/C	Brass Black powder coated with 6mm studs	100	12	9	14	25	25

Enclosures

Hinges

Locks

Handles

Accessories

Rotary Operating Handles

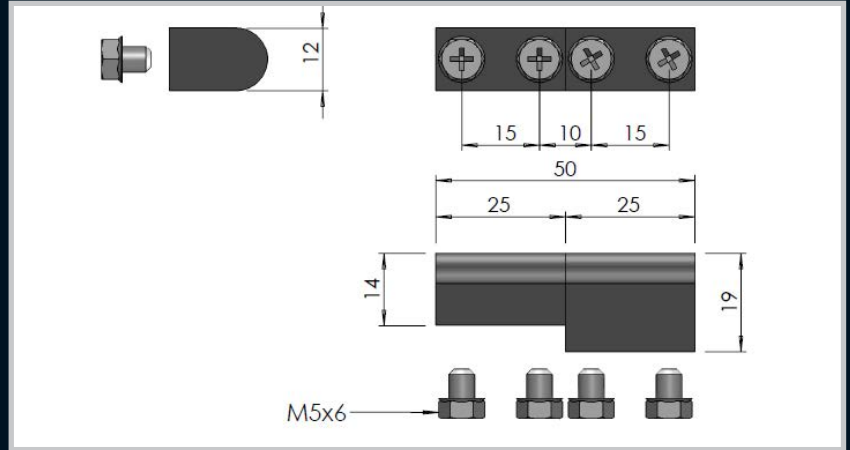
Insulators

Transformer Equipment

Index

Enclosures

Hinges



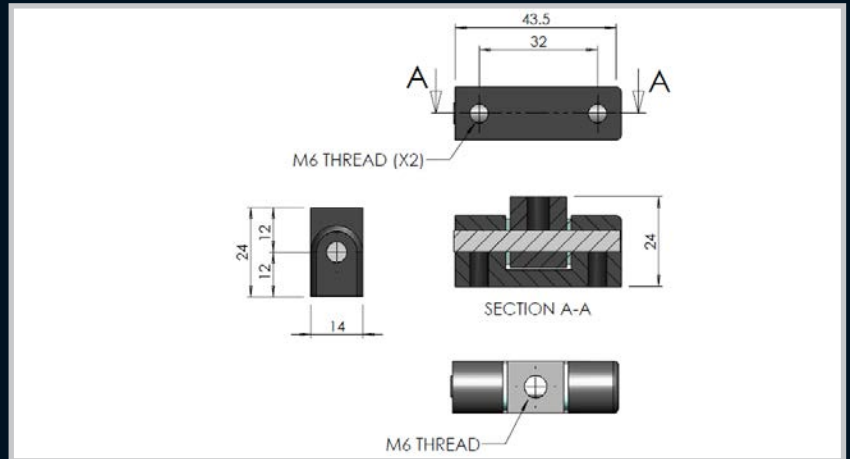
Part Number	Description
083-007/12MM	50mm Stepped hinge ,ZDC Black powder coated Brass pin MS 5x6mm fasteners
083-007/15MM	50mm Stepped hinge ,ZDC Black powder coated Brass pin MS 5x6mm fasteners

Locks

Handles

Accessories

Rotary Operating Handles

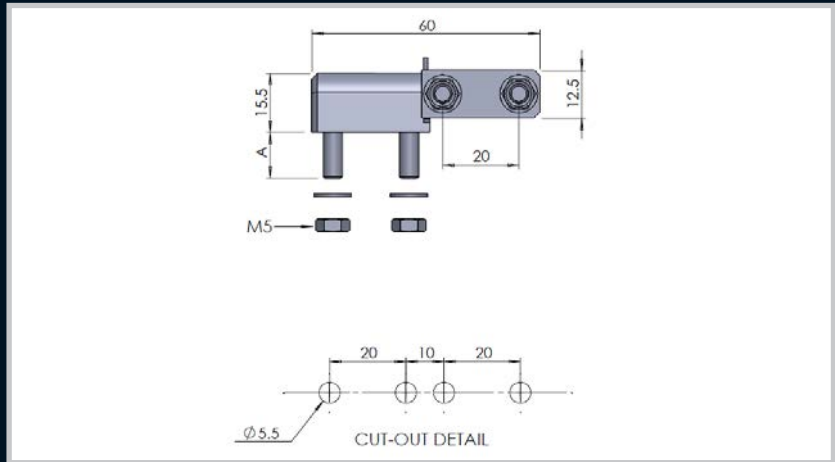


Part Number	Description
083-005	ZDC Black powder coated 6mm countersunk threaded holes

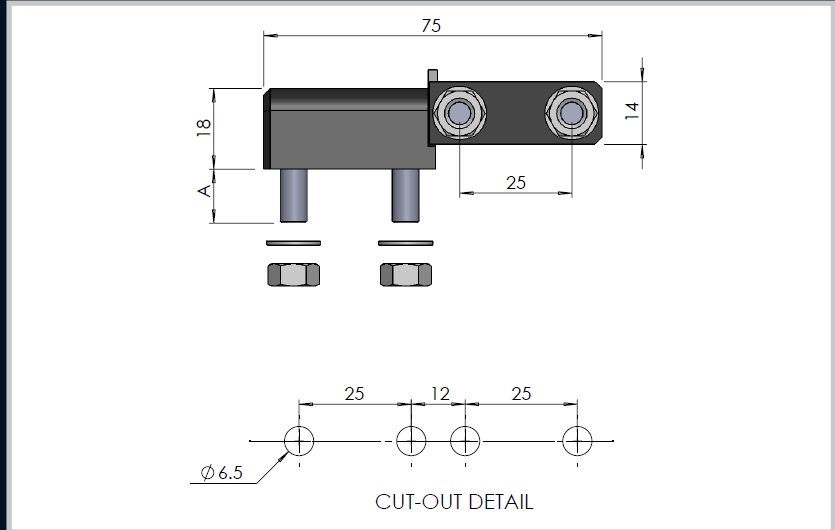
Insulators

Transformer Equipment

Index



Part Number 60mm	Description	Stud (mm)
1010126	ZDC, Black powder coated MS 5mm stud and fasteners	12
1010126S/S	Complete stainless steel 5mm stud and fasteners	12
SHORT STUD		
1010126 - S	ZDC, Black powder coated MS 5mm stud and fasteners	9
1010126S/S - S	Complete stainless steel 5mm stud and fasteners	9



Part Number 75mm	Description	Stud (mm)
1010125	ZDC, Black powder coated MS 6mm stud and fasteners	15
1010125S/S	Complete stainless steel 6mm stud and fasteners	15
1010125/N	Nylon Black, Stainless steel 6mm stud and fasteners	15
SHORT STUD		
1010125 - S	ZDC, Black powder coated MS 6mm stud and fasteners	9
1010125S/S - S	Complete stainless steel MS 6mm stud and fasteners	9
1010125N - S	Nylon Black, Stainless steel 6mm stud and fasteners	9

Enclosures

Hinges

Locks

Handles

Accessories

Rotary Operating
Handles

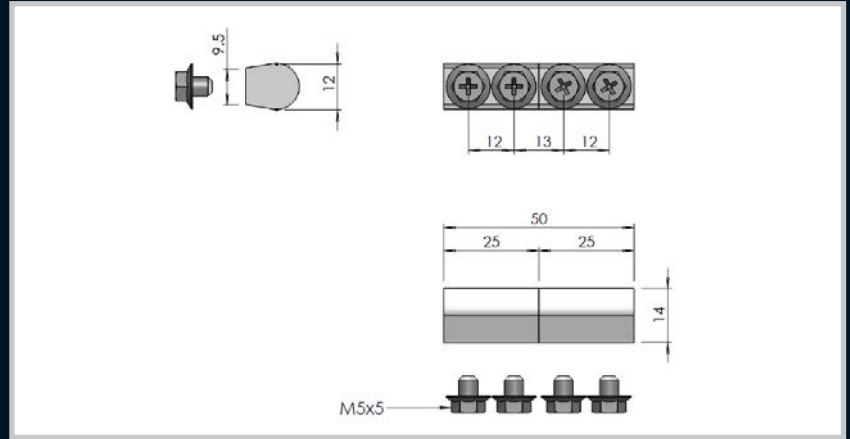
Insulators

Transformer
Equipment

Index

Enclosures

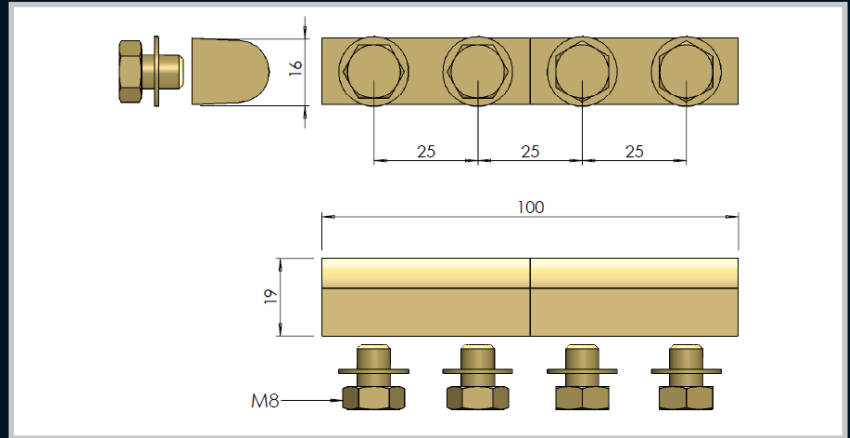
Hinges



Part Number	Description
083-006	MS hinge, Brass pin Galvanized, MS 5x5mm fasteners

Locks

Handles

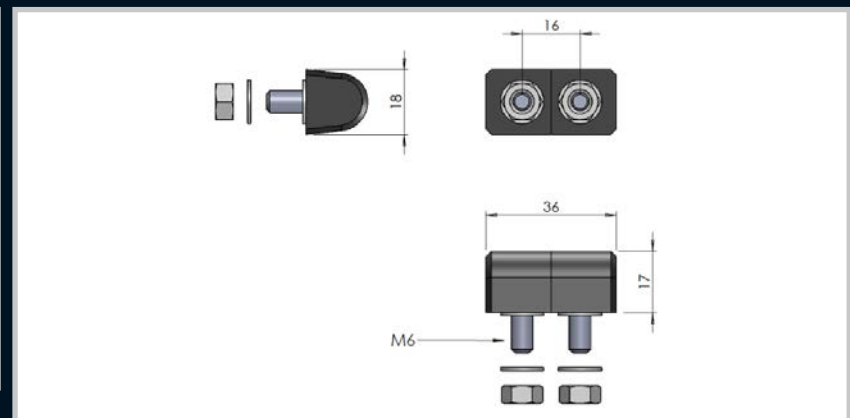


Part Number	Description
1010176	Brass, Natural, M8 fasteners
1010176/MS100	Brass bolt on part and MS weldable part
1010176S/S	Complete stainless steel M8 Fasteners

Accessories

Rotary Operating Handles

Insulators



Part Number	Description
1010180	ZDC Black powder coated MS stud and fastener 6mm
1010180/N	Nylon Black, stainless stud and fastener 6mm

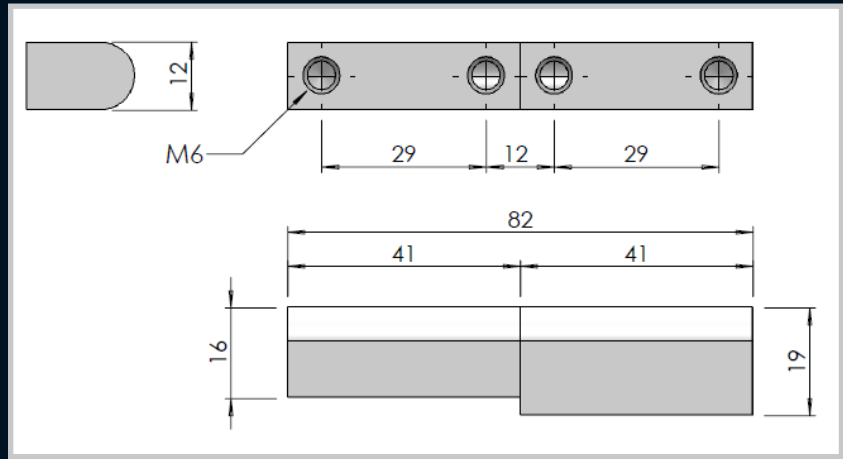
Transformer Equipment

Index



Hinge screw types available:

Part Number	A (mm)	B (mm)
SW6X7	7	10
SW6X8	8	13.5
SW6X10	10	13.5

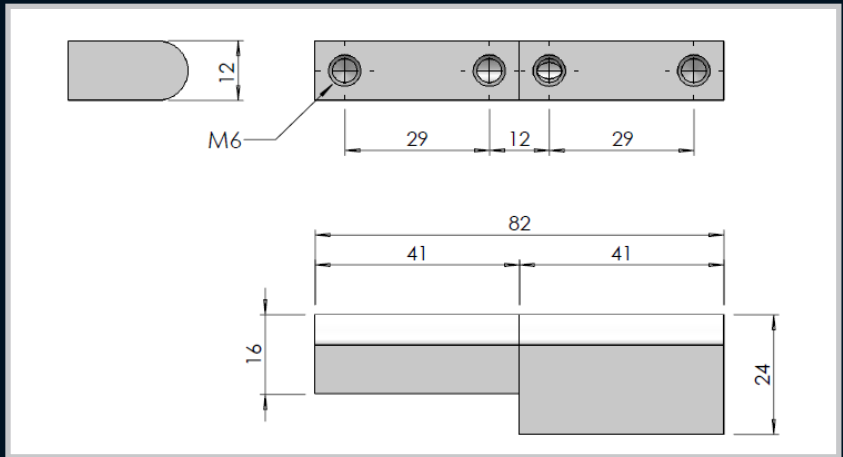


Part Number	Description
HB82B19H	Brass chrome plated 6mm threaded holes
HB82S/S19H	Stainless steel with 6mm threaded holes

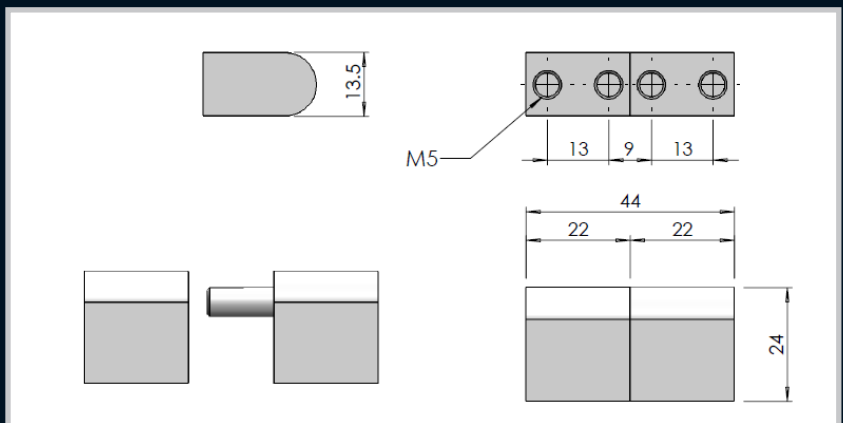


Hinge screw types available:

Part Number	A (mm)	B (mm)
SW6X7	7	10
SW6X8	8	13.5
SW6X10	10	13.5



Part Number	Description
HB82B24H	Brass chrome plated 6mm threaded holes



Part Number	Description
HB44B24H	Complete Brass chrome plated 5mm threaded holes

Enclosures

Hinges

Locks

Handles

Accessories

Rotary Operating Handles

Insulators

Transformer Equipment

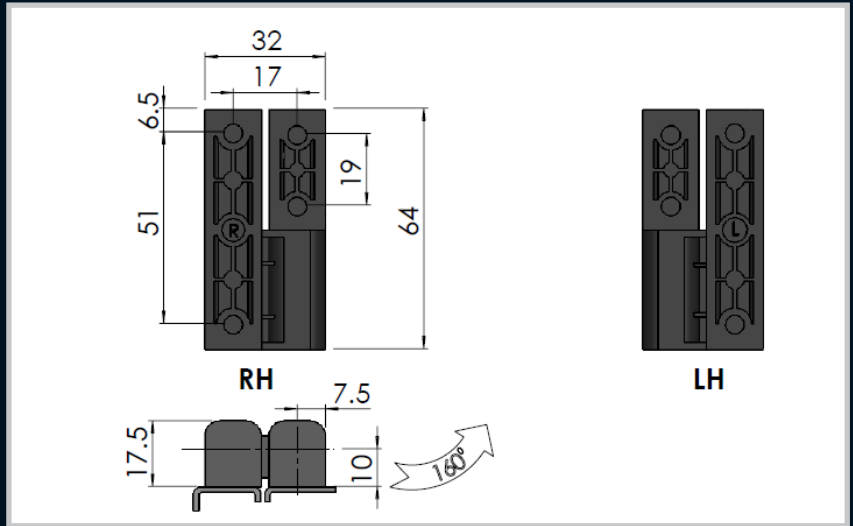
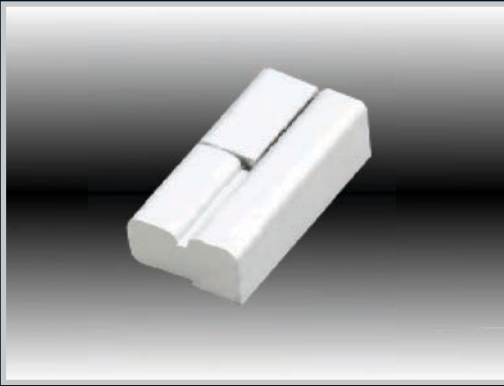
Index

Pedestal Hinges



Enclosures

Hinges

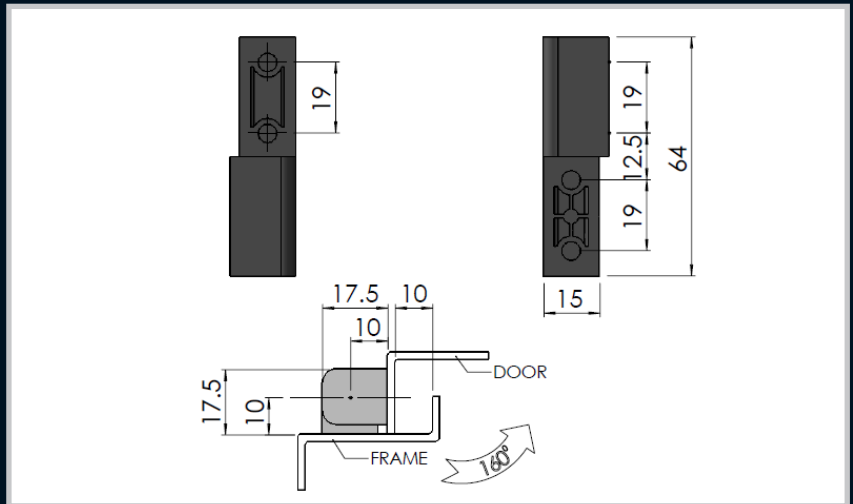
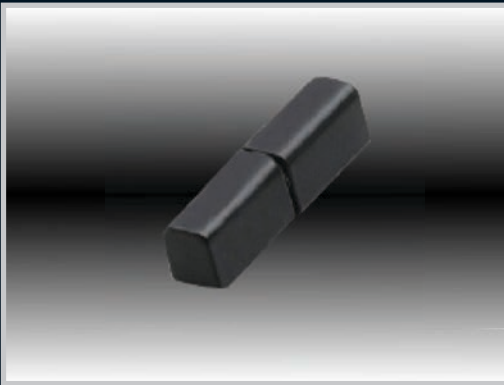


Part Number	Description
641510B	Black powder coated ZDC Offset hinge
641510C	Chrome ZDC Offset hinge

Locks

Handles

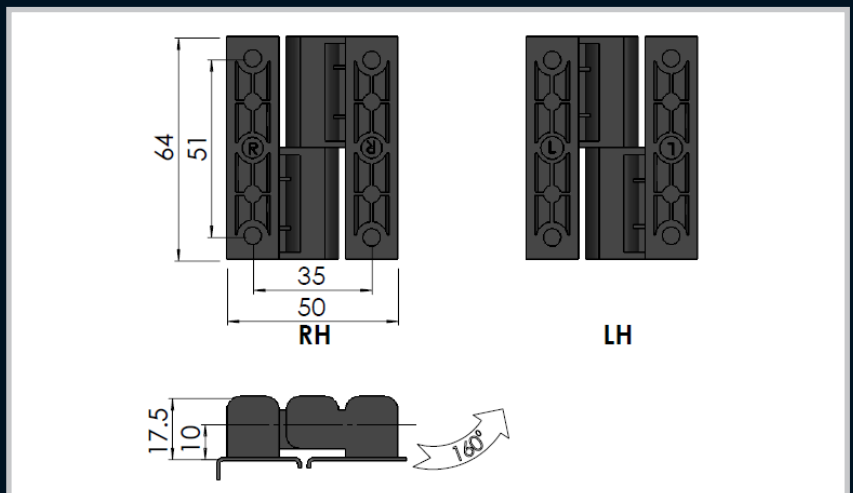
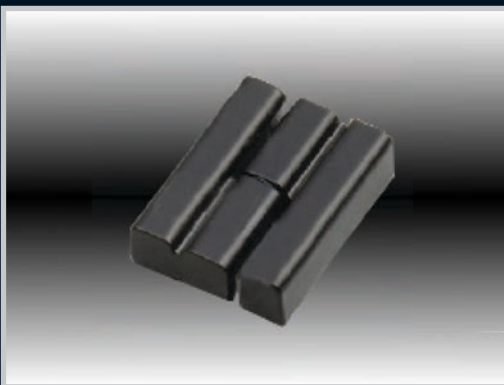
Accessories



Part Number	Description
643210B	Black powder coated ZDC Coaxial hinge
643210C	Chrome ZDC Coaxial hinge

Rotary Operating Handles

Insulators



Part Number	Description
645010B	Black powder coated ZDC Symmetric hinge
645010C	Chrome ZDC Symmetric hinge

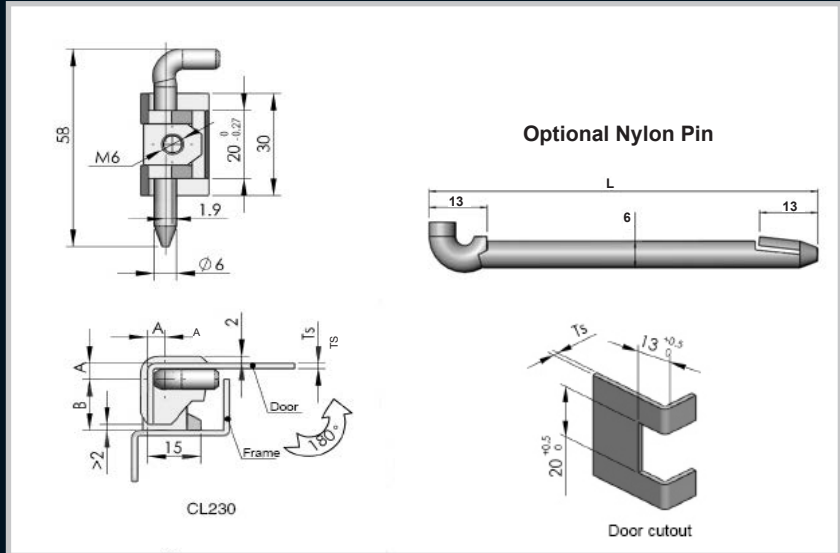
Transformer Equipment

Index



Optional Nylon Pin

Part Number	L (mm)
NP57	57
NP78	78

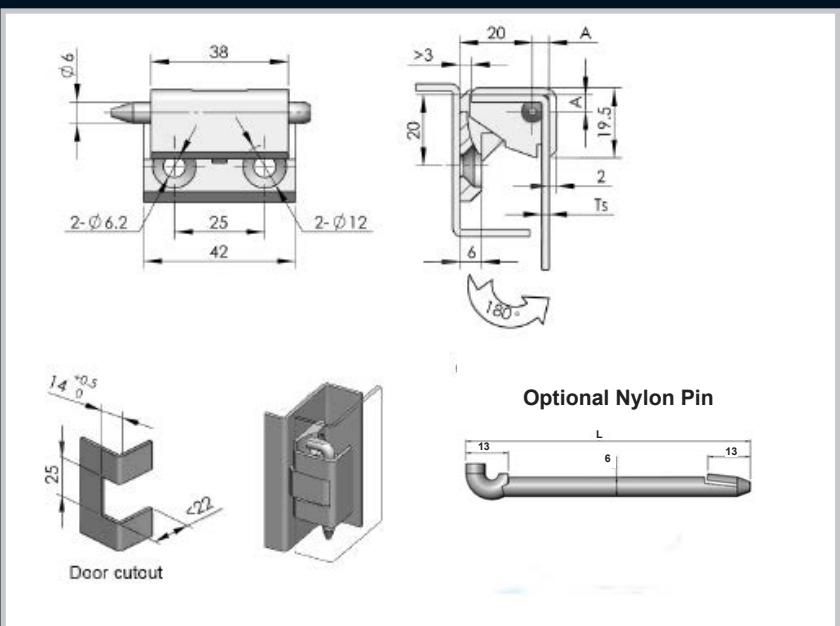


Part Number	Description	TS	A	B
302058B-15	Semi concealed hinge ZDC black powder coated with steel pin	1.5	4.6	15
302058B-15.2	Semi concealed hinge ZDC black powder coated with steel pin	2	5.1	15
302058B-17	Semi concealed hinge ZDC black powder coated with steel pin	1.5	4.6	17
302058B-17.2	Semi concealed hinge ZDC black powder coated with steel pin	2	5.1	17
302058B-19	Semi concealed hinge ZDC black powder coated with steel pin	1.5	4.6	19
302058B-19.2	Semi concealed hinge ZDC black powder coated with steel pin	2	5.1	19



Optional Nylon Pin

Part Number	L (mm)
NP57	57
NP78	78



Part Number	Description	A
423825B.2	Black powder coated, Ts=2	5.1
423825B.3	Black powder coated, Ts=3	6.1
423825B.1	Black powder coated, Ts=1	4.6

Enclosures

Hinges

Locks

Handles

Accessories

Rotary Operating Handles

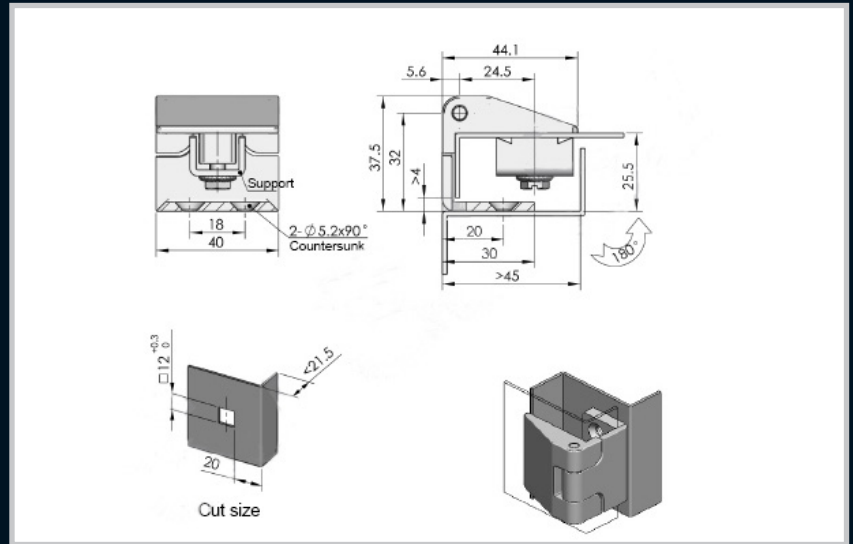
Insulators

Transformer Equipment

Index

Enclosures

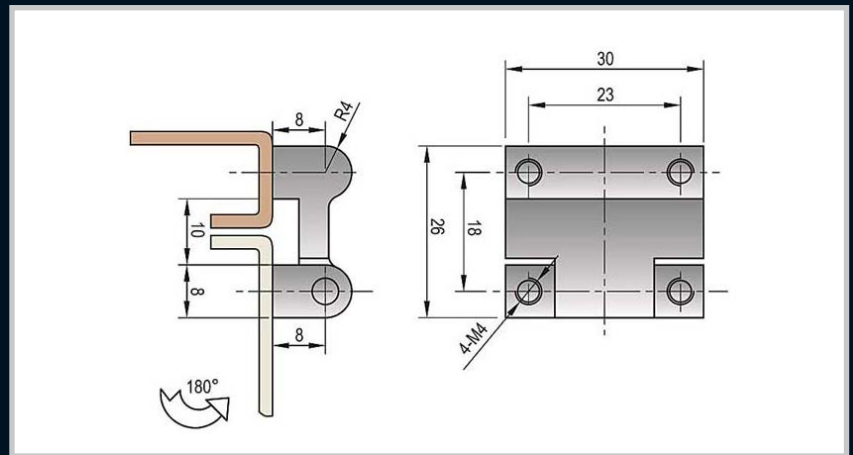
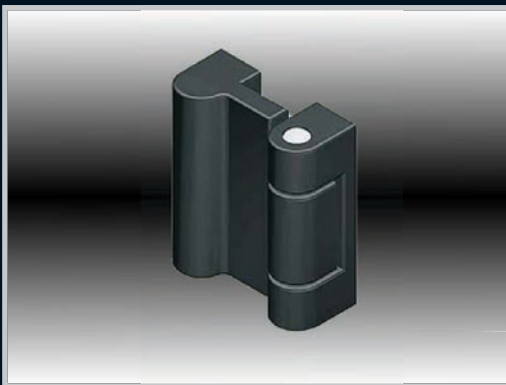
Hinges



Locks

Part Number	Description
40110	Black powder coated

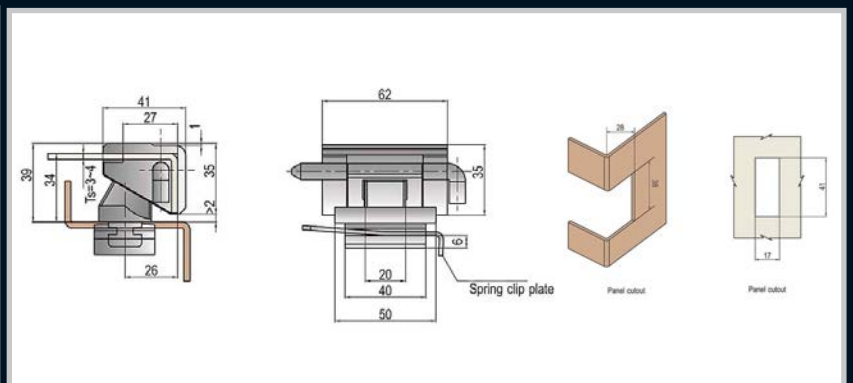
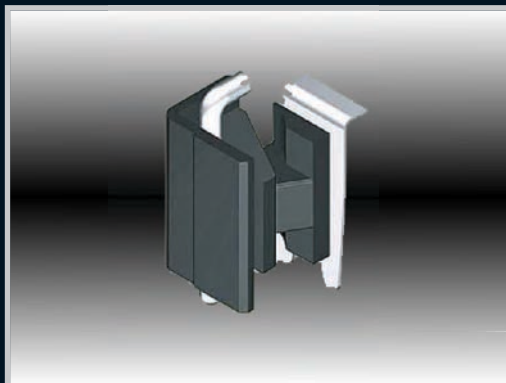
Handles



Accessories

Part Number	Description
3010	Black powder coated

Rotary Operating Handles

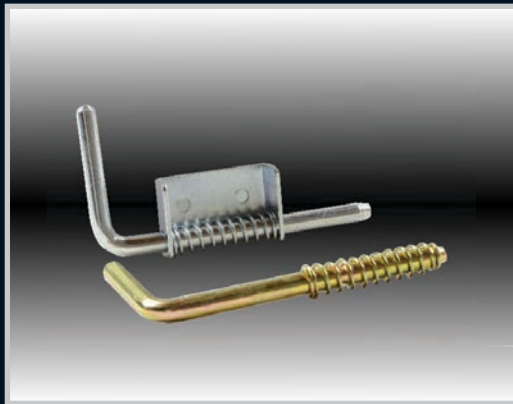


Transformer Equipment

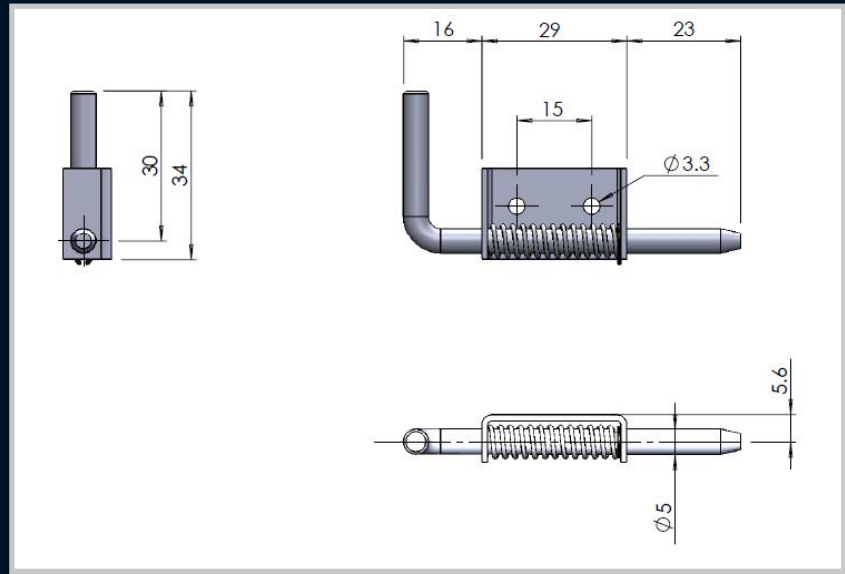
Part Number	Description
410110/B	Black powder coated with a spring clip plate

Index

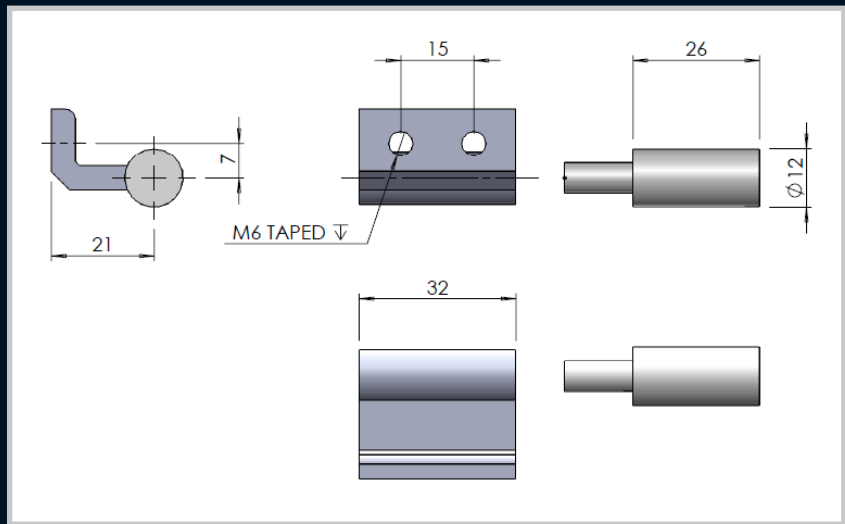
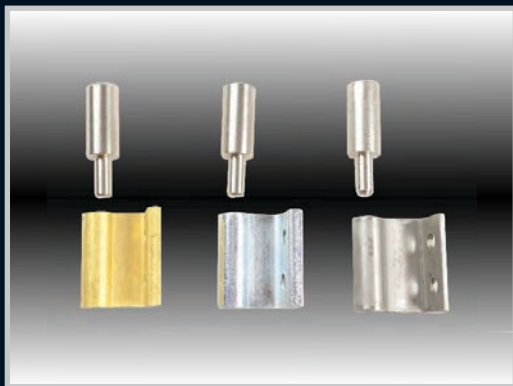
Concealed Hinges



Remarks:
Spring loaded



Part Number	Description
1010122	MS Body, Spring and L- Pin.
1010122/SPECIAL	MS yellow passivated tapped spring and L- pin
1010122SP/PLATE	MS body, tapped spring, L- pin and Plate



Part Number	Description
1010127	MS pin ZDC body
1010127M/SBODY	MS body
1010127M/SCOMPL	MS pin and body
1010127M/S	MS body , S/S pin
1010127M/SBRASS	MS pin and Brass body
1010127S/SBRASS	Stainless steel pin and brass body
1010127S/SCOMPL	SS pin and body

Enclosures

Hinges

Locks

Handles

Accessories

Rotary Operating
Handles

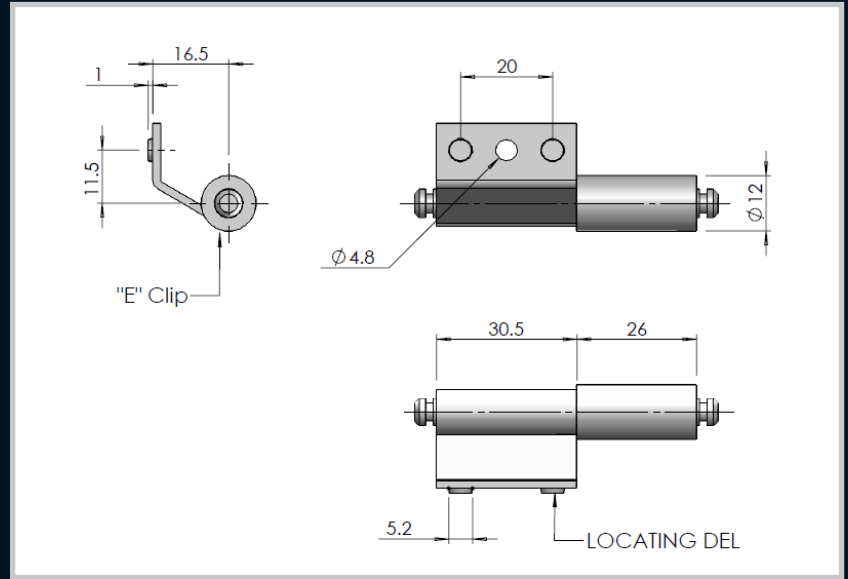
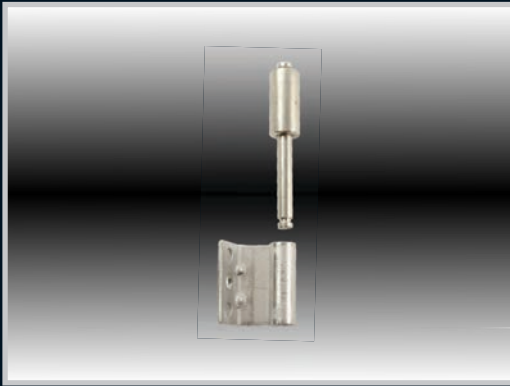
Insulators

Transformer
Equipment

Index

Enclosures

Hinges



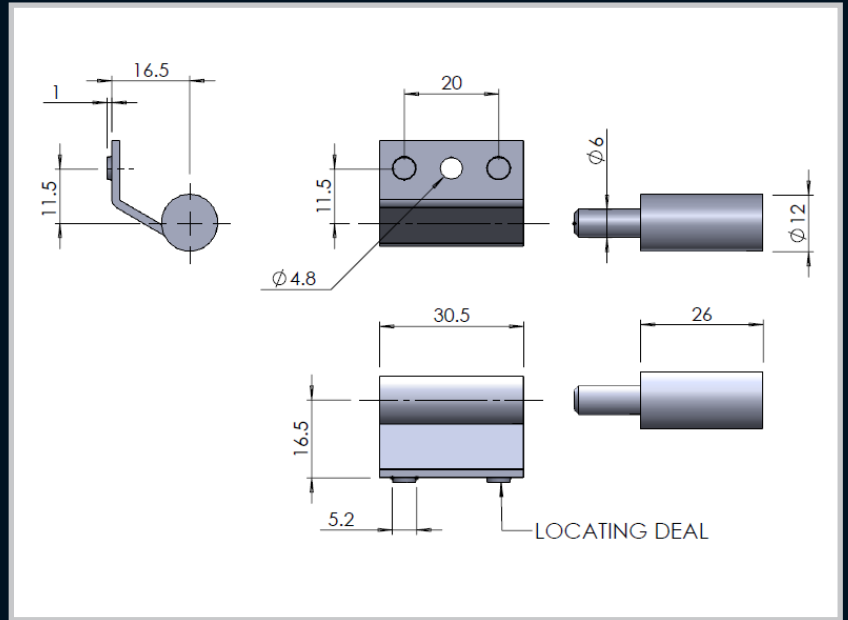
Locks

Handles

Part Number	Description
1010151	Weld on MS natural with "E" clip
1010151SS	Weld on Stainless steel natural with "E" clip

Accessories

Rotary Operating Handles



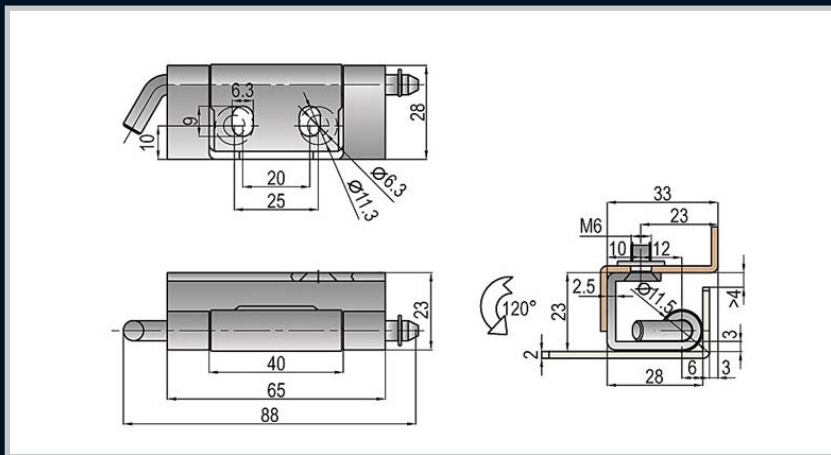
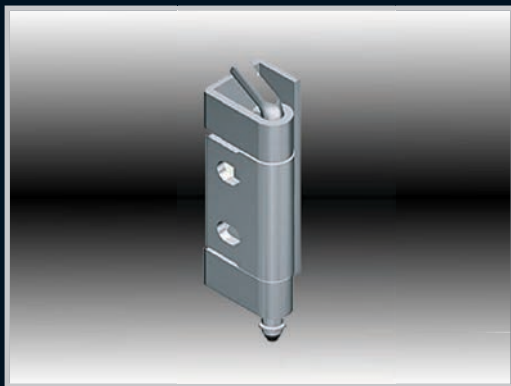
Insulators

Transformer Equipment

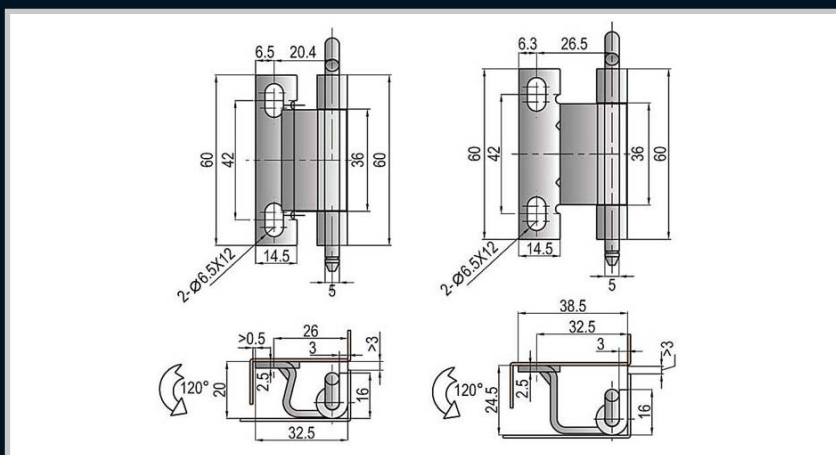
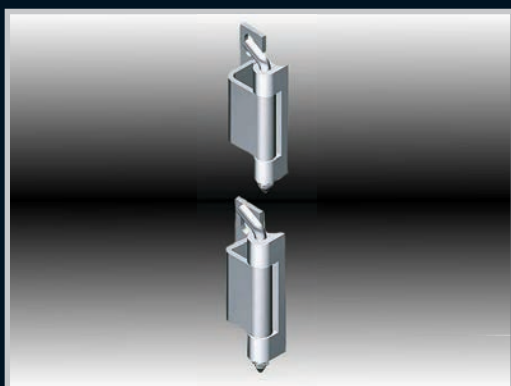
Part Number	Description
1010150M/S	Weld on MS natural
1010150S/S	Weld on Stainless steel natural

Index

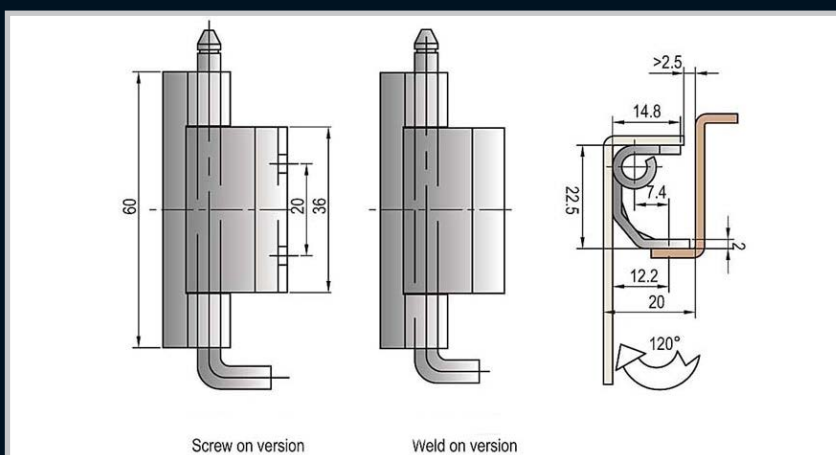
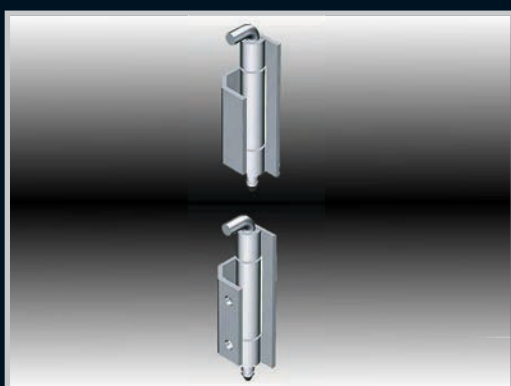
Concealed Hinges



Part Number	Description
230201	MS zinc plated with L-pin



Part Number	Description
20021	20mm , MS zinc plated with L-pin
24022	24mm, MS zinc plated with L-pin



Part Number	Description
60011	Screw on version, Stainless steel
60012	Weld on version, Stainless steel

Enclosures

Hinges

Locks

Handles

Accessories

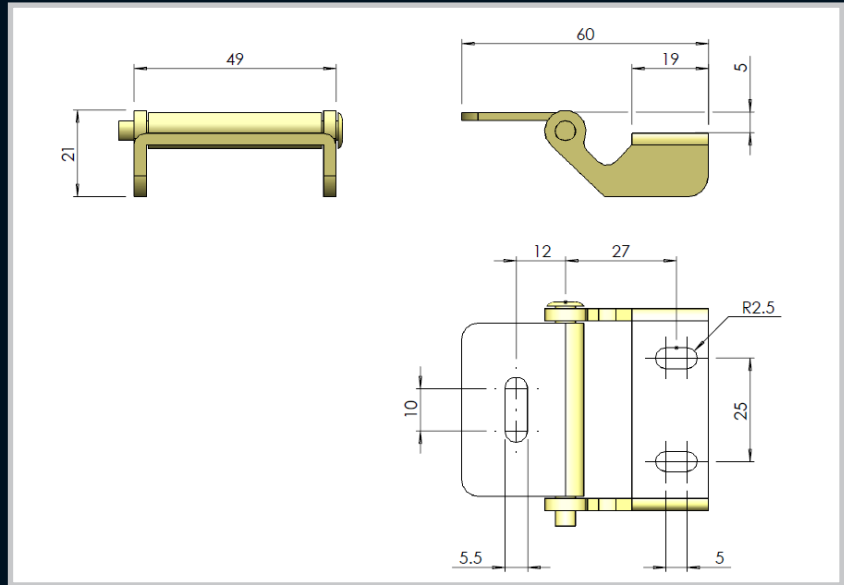
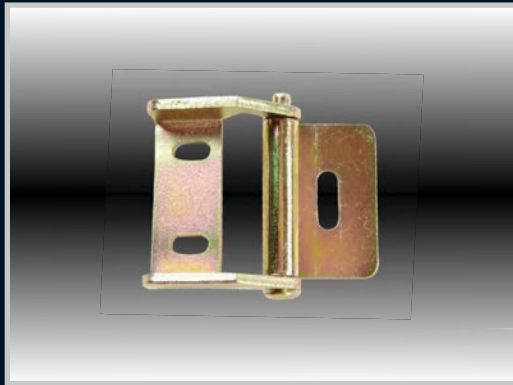
Rotary Operating
Handles

Insulators

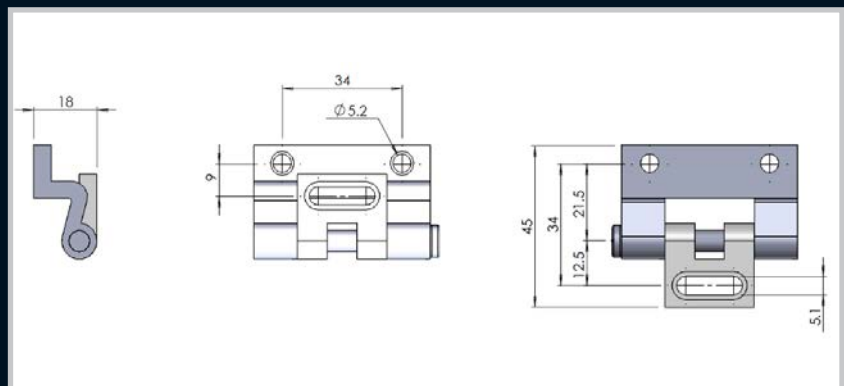
Transformer
Equipment

Index

Concealed Hinges

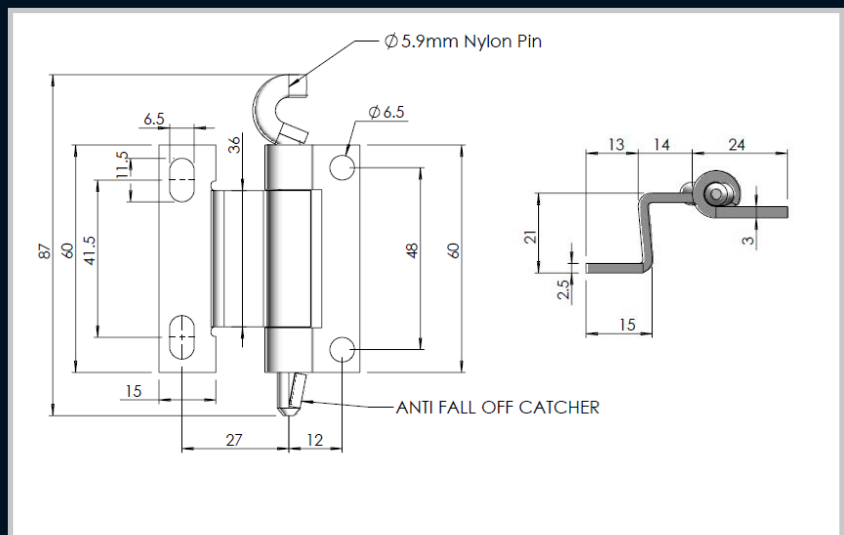


Part Number	Description
1010185	MS Galvanized



Part Number	Description
083-004	ZDC Galvanized
083-004REVERSE	ZDC Galvanized

Remarks:
Pin is in opposite direction for reversal use.



Part Number	Description
AL250-6	Mild Steel Concealed hinge with a Nylon Pin

Enclosures

Hinges

Locks

Handles

Accessories

Rotary Operating Handles

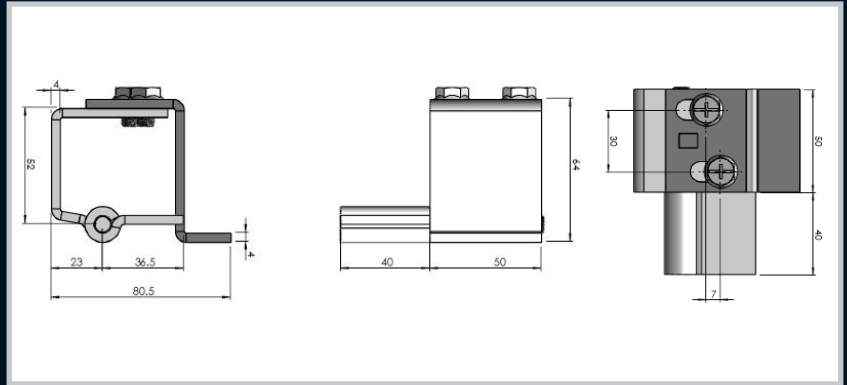
Insulators

Transformer Equipment

Index

Enclosures

Hinges



Part Number	Description
90.80.5	Concealed M/S hinge

Locks

Handles

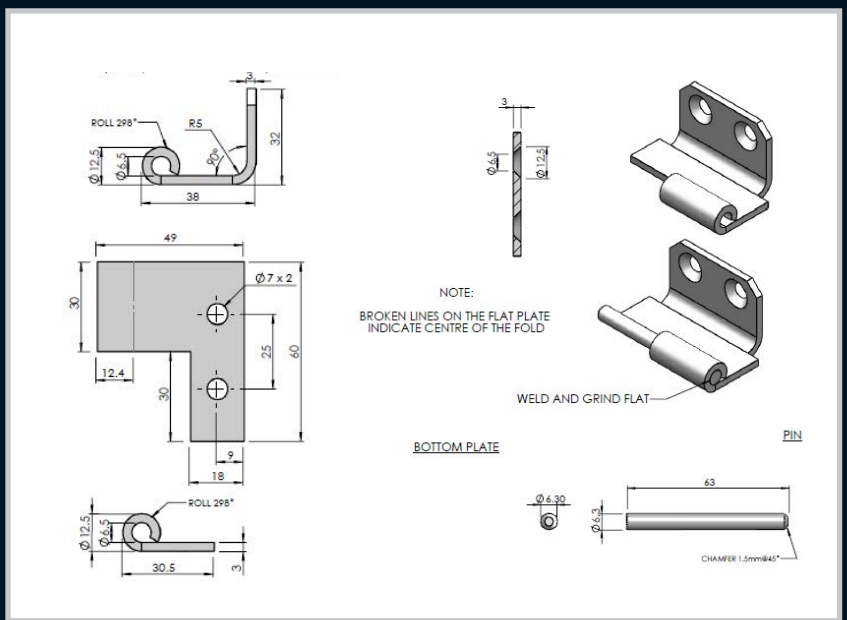
Accessories

Rotary Operating Handles

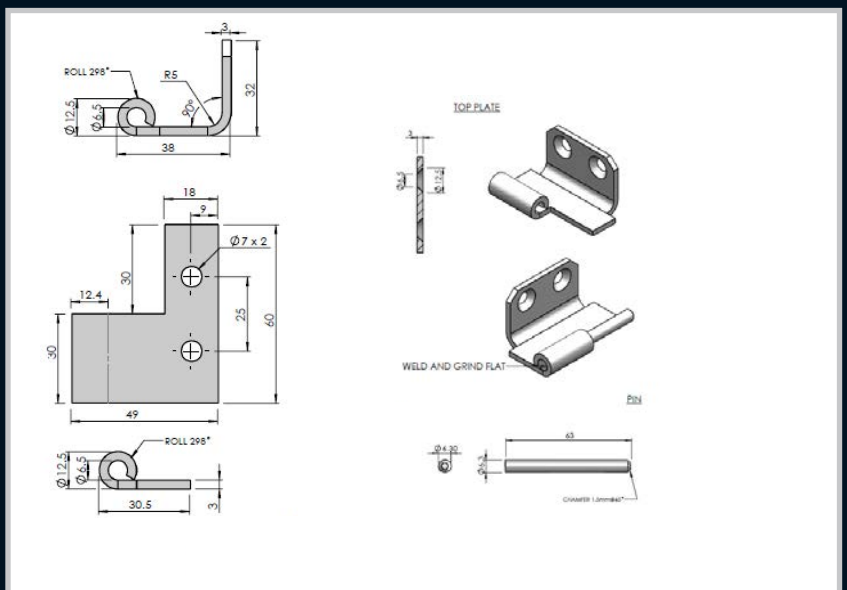
Insulators

Transformer Equipment

Index

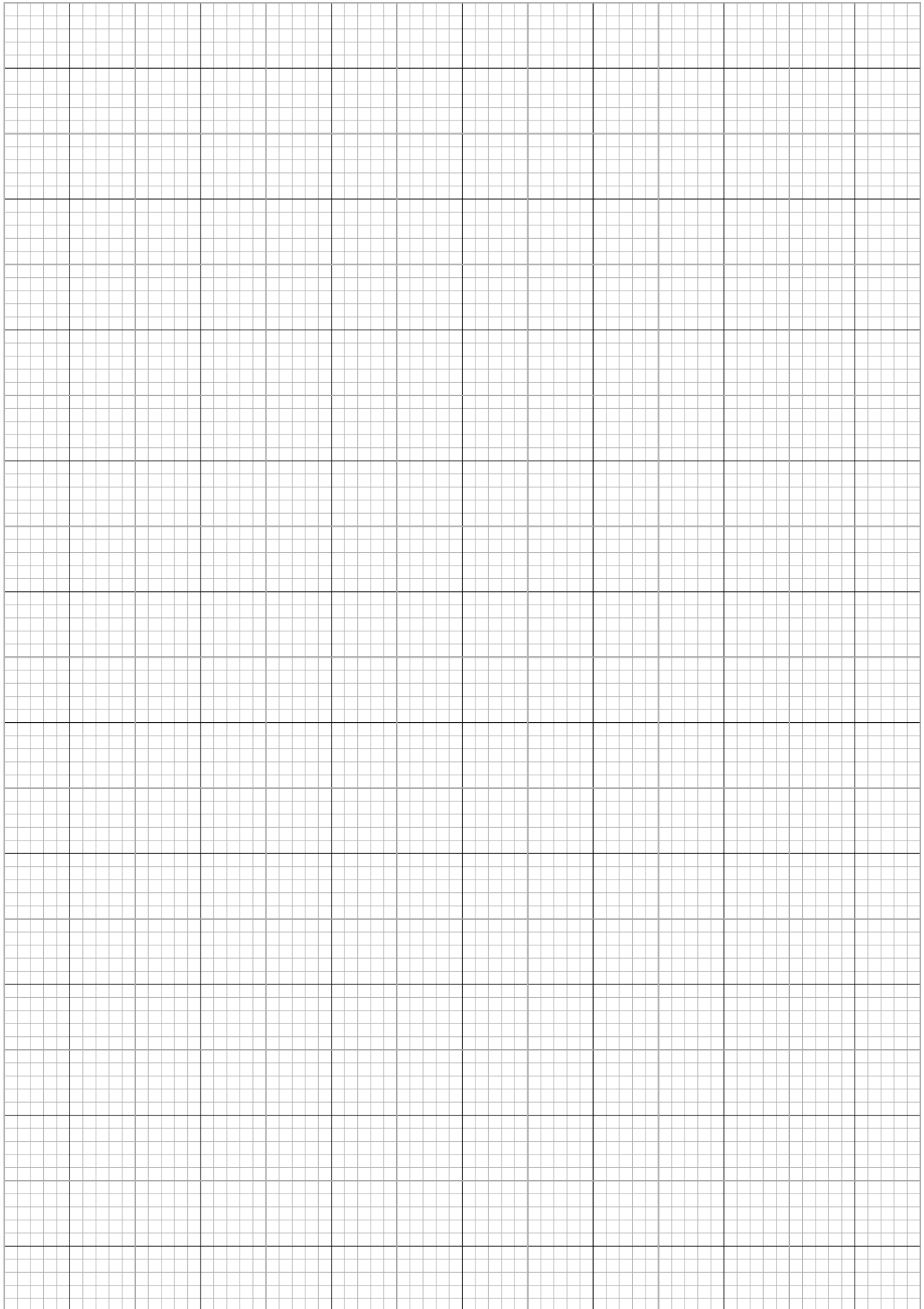


Part Number	Description
WTLH60SS	Complete Stainless Steel left hand hinge



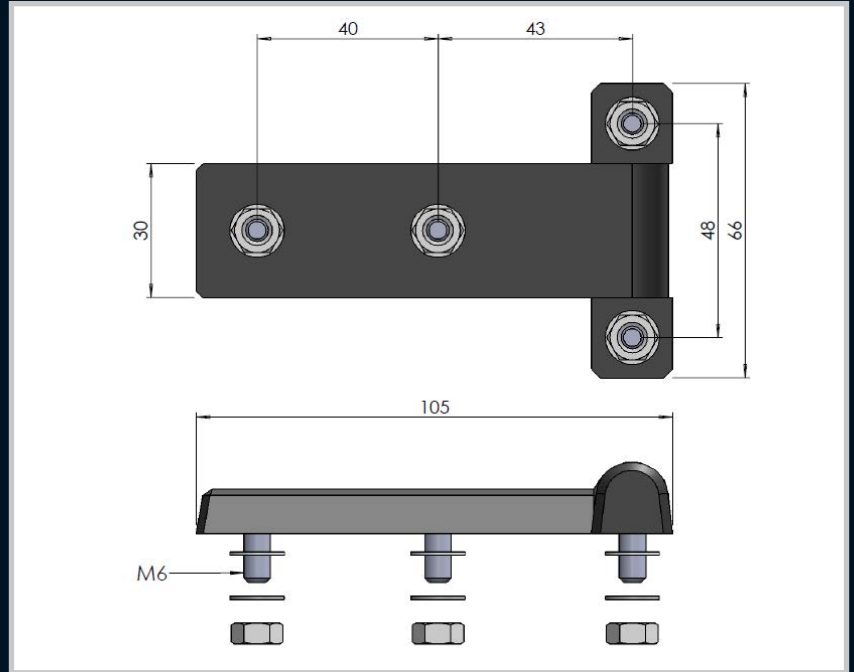
Part Number	Description
WTRH60SS	Complete Stainless Steel right hand hinge

Notes:



Enclosures

Hinges



Part Number	Description
1010145	ZDC, 6mm studs black powder coated
1010145S/S	Complete stainless steel 6mm studs

Locks

Handles

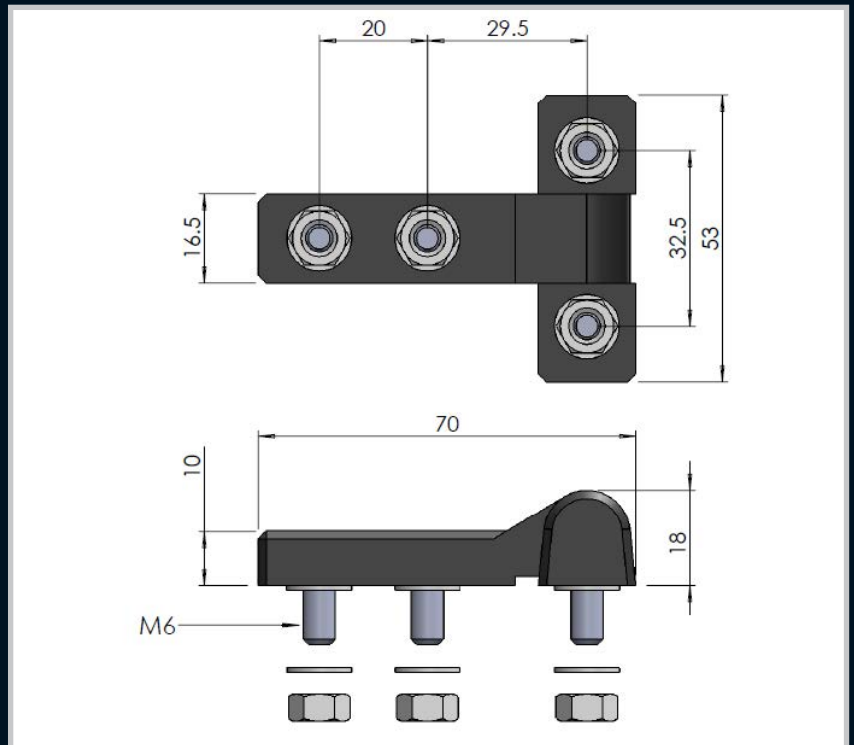
Accessories

Rotary Operating
Handles

Insulators

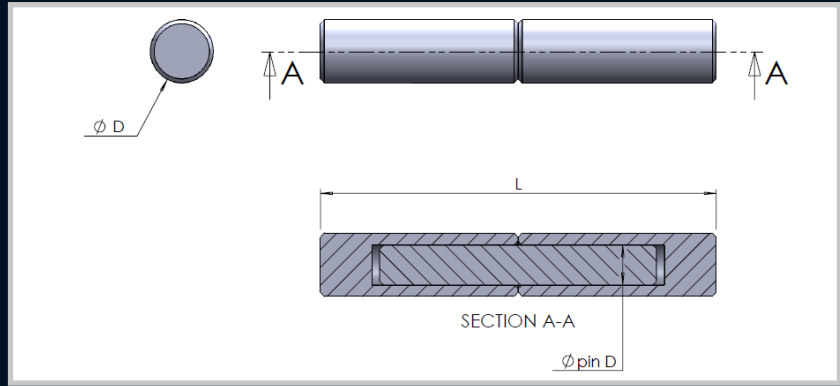
Transformer
Equipment

Index



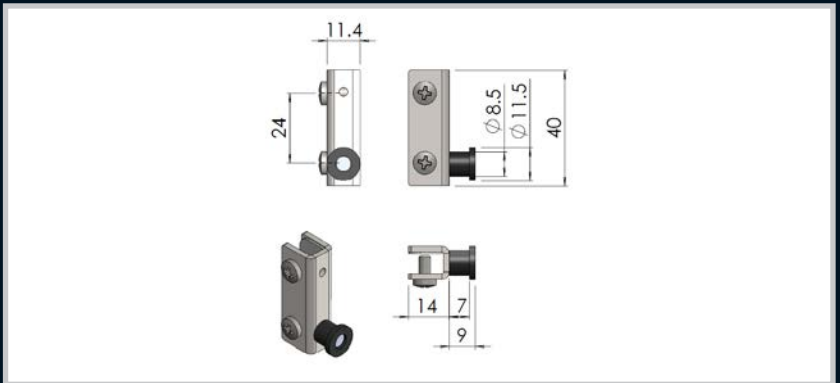
Part Number	Description
1010182	ZDC, 6mm studs black powder coated
1010182S/S	Complete stainless steel 6mm studs
1010182/N	Nylon Black 6mm stainless studs and fasteners

Bullet Hinges



Part Number	Description	L (mm)	D (mm)	Pin D (mm)
M/S50	MS body and Stainless steel pin	50	8	5
M/S70	MS body and Stainless steel pin	70	12	6.35
M/S100	MS body and Stainless steel pin	100	16	10
M/S150	MS body and Stainless steel pin	150	20	10
S/S50	Stainless steel body and Stainless steel pin	50	8	5
S/S70	Stainless steel body and Stainless steel pin	70	12	6.35
S/S100	Stainless steel body and Stainless steel pin	100	16	10
S/S150	Stainless steel body and Stainless steel pin	150	20	10

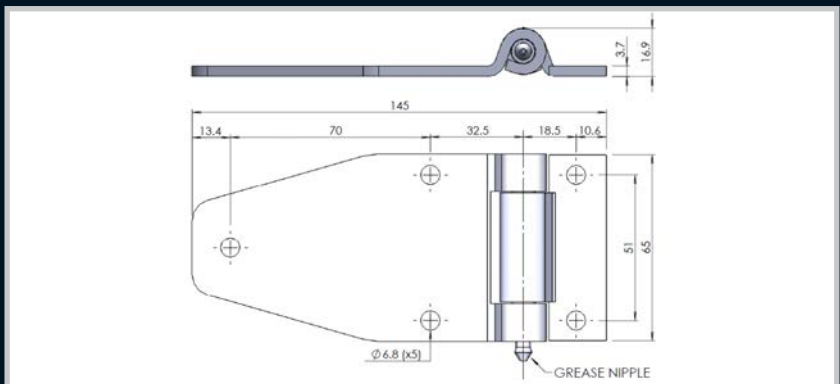
Glass Door Hinge



Remarks:
40mm Glass door hinge with fasteners.
Comes as a set top and bottom.

Part Number	Description
GDH40MM	MS Chrome plated

Heavy Duty Flap Hinge



Remarks:
High IP rating due to rubber gasket.
Increased lubrication through the use of the grease nipple.

Part Number	Description
083-003	MS with Stainless steel pin, rubber gasket and grease nipple.
083-003S/S	Complete stainless steel with rubber gasket and grease nipple.

Enclosures

Hinges

Locks

Handles

Accessories

Rotary Operating Handles

Insulators

Transformer Equipment

Index

Notes:

